



H-8140 Series

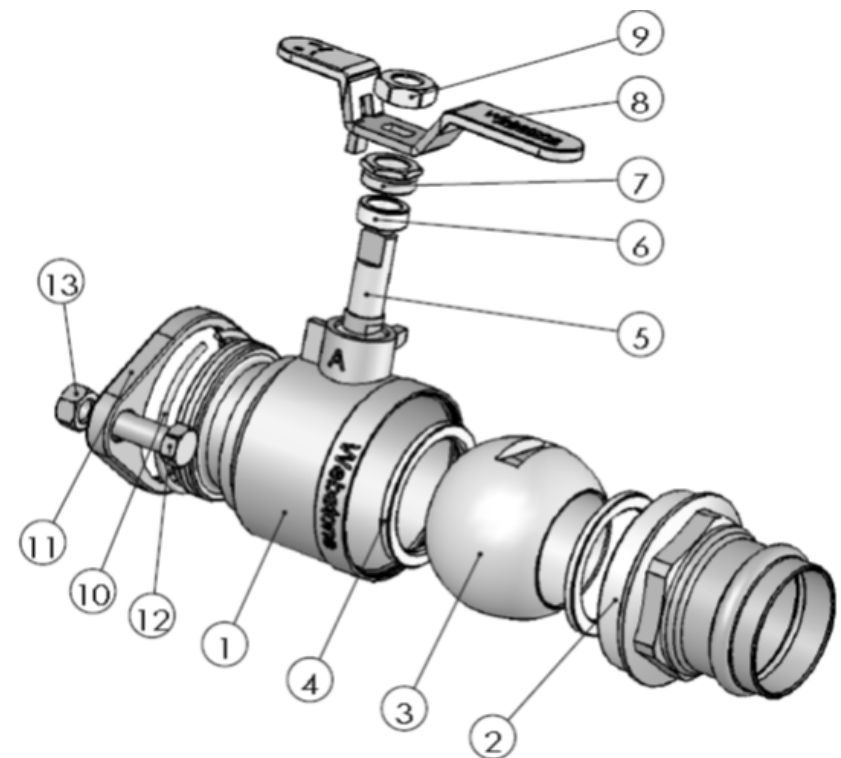
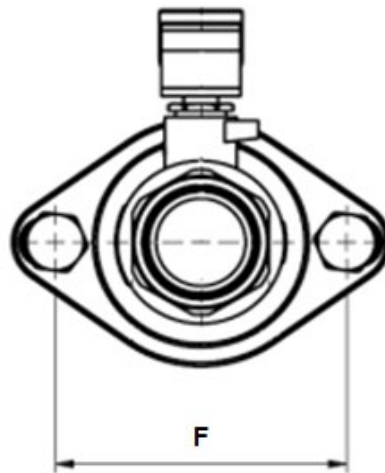
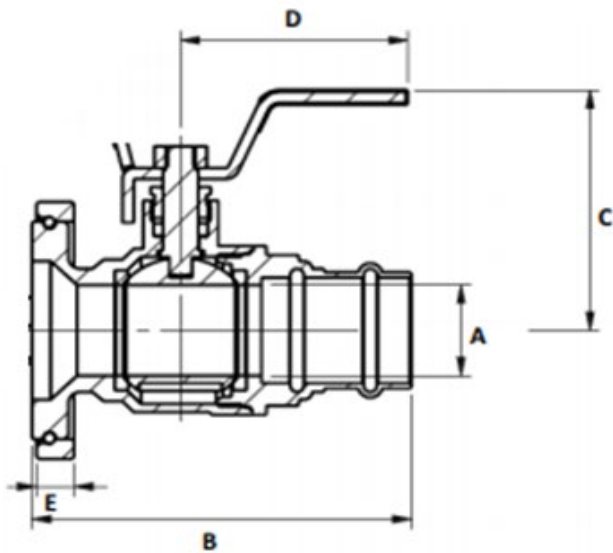
The Isolator w/ Rotating Flange
Full Port Forged Brass Uni-Flange Ball Valve
w/ Detachable Rotating Flange,
Adjustable Packing Gland,
Nuts & Bolts



The ISOLATOR®

UNI-FLANGE BALL VALVE®

NO.	DESCRIPTION	MATERIAL
1	BODY	BRASS
2	END CAP	BRASS
3	BALL	BRASS CP
4	SEAT	PTFE
5	STEM	BRASS
6	PACKING GLAND	PTFE
7	PACKING NUT	BRASS
8	HANDLE	STEEL CP
9	HANDLE NUT	STAINLESS STEEL
10	ROTATING FLANGE RING	STAINLESS STEEL
11	ROTATING FLANGE	BRASS
12	FLANGE BOLTS	STAINLESS STEEL
13	FLANGE NUTS	STAINLESS STEEL



Designed for residential, commercial or industrial use with water, oil or gas. This approved Webstone valve is actuated by a blowout proof stem and features an adjustable packing nut. *Slotted bolt holes accommodate both standard and high velocity pumps.

ITEM#	Connection Type	SIZE (in)	Pressure Rating	Max Temp	A	B	C	D	E	F
H-81403	Press x Rotating Flange	3/4	250 PSI CWP Max	250°F Max	0.75	3.31	2.13	2.38	0.38	3.19
* H-81403HV	Press x Rotating Flange	3/4	250 PSI CWP Max	250°F Max	0.75	3.31	2.13	2.38	0.38	3.19
H-81404	Press x Rotating Flange	1	250 PSI CWP Max	250°F Max	1.00	4.00	2.63	3.38	0.38	3.19
* H-81404HV	Press x Rotating Flange	1	250 PSI CWP Max	250°F Max	1.00	4.00	2.63	3.38	0.38	3.19
H-81405	Press x Rotating Flange	1 1/4	250 PSI CWP Max	250°F Max	1.25	4.44	2.94	3.38	0.38	3.19
* H-81405HV	Press x Rotating Flange	1 1/4	250 PSI CWP Max	250°F Max	1.25	4.44	2.94	3.38	0.38	3.19
H-81406	Press x Rotating Flange	1 1/2	250 PSI CWP Max	250°F Max	1.50	4.94	3.19	3.38	0.38	3.19
* H-81406HV	Press x Rotating Flange	1 1/2	250 PSI CWP Max	250°F Max	1.50	4.94	3.19	3.38	0.38	3.19
* H-81407HV	Press x Rotating Flange	2	250 PSI CWP Max	250°F Max	2	5.81	3.56	3.38	0.38	3.69

