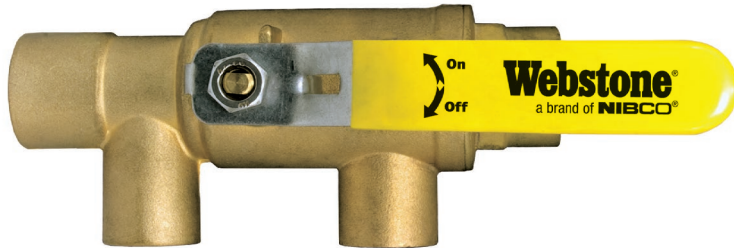


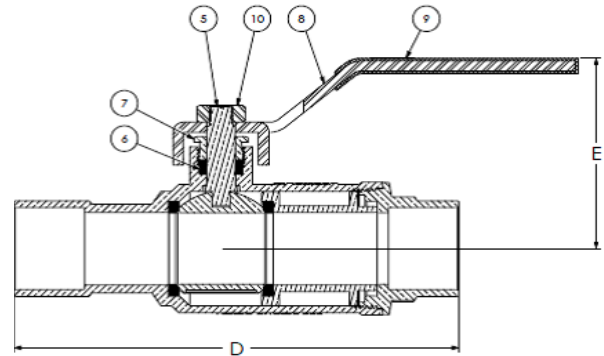
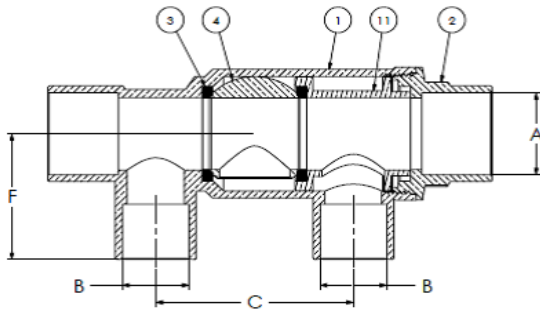
H-x864 Series

Pro-Pal Primary/Secondary Loop Purge Tee
 Full Port Forged Brass Ball Valve
 w/ Reversible Handle
 & Adjustable Packing Gland



PATENTED TECHNOLOGY

NO.	DESCRIPTION	MATERIAL
1	BODY	BRASS
2	END CAP	BRASS
3	SEAT	PTFE
4	BALL	BRASS HCP
5	STEM	BRASS
6	STEM SEAL	PTFE
7	PACKING GLAND	BRASS
8	HANDLE	STEEL CP
9	HANDLE JACKET	VINYL
10	HANDLE NUT*	STAINLESS STEEL
11	SEAT RETAINER	BRASS



Designed for residential, commercial or industrial use with water, oil or gas. This approved Webstone valve is actuated by a blowout proof stem and features an adjustable packing gland.

ITEM#	Connection Type	SIZE (in)	Pressure Rating	Max Temp	A	B	C	D	E
H-58643	SWT	1 × 3/4	600 PSI CWP Max	250°F Max	1.00	0.75	2.69	5.81	2.38
H-58644	SWT	1	600 PSI CWP Max	250°F Max	1.00	1.00	2.88	5.81	2.44
H-58653	SWT	1 1/4 × 3/4	600 PSI CWP Max	250°F Max	1.25	0.75	3.25	6.31	2.25
H-58654	SWT	1 1/4 × 1	600 PSI CWP Max	250°F Max	1.25	1.00	3.25	7.00	2.56
H-58655	SWT	1 1/4	600 PSI CWP Max	250°F Max	1.25	1.25	3.25	7.00	2.63
H-88643	Press	1 × 3/4	250 PSI CWP Max	250°F Max	1.00	0.75	2.60	7.28	2.60
H-88644	Press	1	250 PSI CWP Max	250°F Max	1.00	1.00	2.60	7.28	2.60
H-88654	Press	1 1/4 × 1	250 PSI CWP Max	250°F Max	1.25	1.00	3.11	8.62	2.95
H-88655	Press	1 1/4	250 PSI CWP Max	250°F Max	1.25	1.25	3.11	8.62	2.95

