

CK 15 E, CK 20 E

English

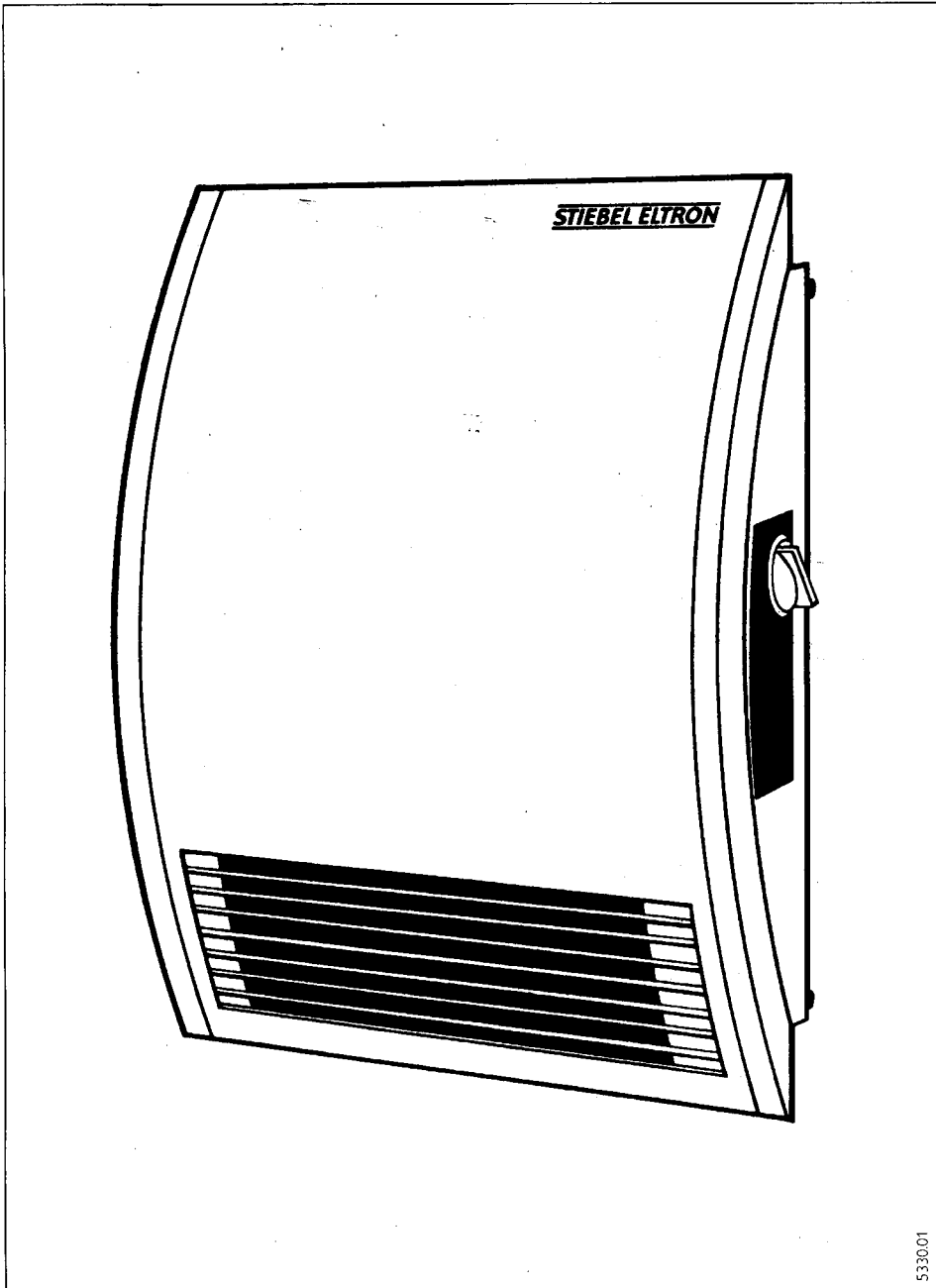
Fan heater

Operating and installation instructions

Français

Convecteurs soufflants

Instructions d'utilisation et de montage



English

Safety precautions	2
Operating instructions	3
Installation instructions	4
Technical data	5
Limited warranty	6

Français

Précautions d'emploi	7
Instructions d'utilisation	8
Instructions de montage	9
Caractéristiques techniques	10
Conditions de garantie	11

This appliance must be installed, commissioned and serviced by approved service technicians in accordance with these instructions.

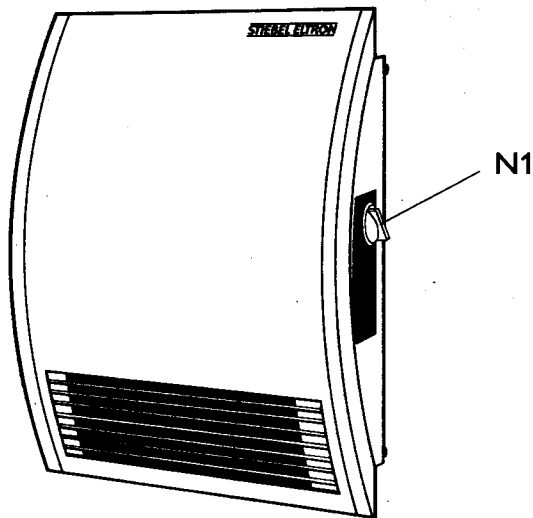
L'installation ainsi que la première mise en service et la maintenance de cet appareil ne peuvent être réalisées que par un installateur agréé, conformément à cette notice.



WARNING

The following information is important to the proper and safe use of your Stiebel Eltron wall mounted fan heater. Be sure to READ and UNDERSTAND completely the Operation and Installation Manual BEFORE operating your heater. FAILURE TO FOLLOW THESE INSTRUCTIONS COULD CAUSE PROPERTY DAMAGE, PERSONAL INJURY OR DEATH.

1. Read all instructions before using this heater.
2. This heater is hot when in use. To avoid burns, do not let bare skin touch hot surfaces. Keep combustible materials, such as furniture, pillows, bedding, papers, clothes and curtains at least 3 feet (0,9 m) from the front of the heater and keep them away from the sides and rear.
3. Extreme caution is necessary when any heater is used by or near children or invalids and whenever the heater is left operating and unattended.
4. Do not operate any heater with a damaged cord or plug or after the heater malfunctions, has been dropped or damaged in any manner. Return heater to authorized service facility for examination, electrical or mechanical adjustment, or repair.
5. Do not use outdoors.
6. Never locate heater where it may fall into a bathtub or other water container.
7. Do not insert or allow foreign objects to enter any ventilation or exhaust opening as this may cause an electric shock or fire, or damage the heater.
8. To prevent a possible fire, do not block air intakes or exhaust in any manner. Do not use on soft surface, like a bed, where openings may become blocked.
9. A heater has hot and arcing or sparking parts inside. Do not use it in areas where gasoline, paint or flammable liquids are used or stored.
10. Use this heater only as described in this manual. Any other use not recommended by the manufacturer may cause fire, electric shock, or injury to persons.
11. **SAVE THESE INSTRUCTIONS**
 - A. There are no user serviceable parts inside unit. Servicing should only be performed by an authorized service representative.
 - B. If heater is not in use, please store in a dry place.



5330.01

CK 15 E – 120 V / 1500 Watts
CK 20 E – 240 V / 2000 Watts, 208 V / 1500 Watts

Fig. 1

Operating instructions

The CK wall mounted electric fan heater is particularly suited for bathrooms, kitchens, hallways etc. Make sure that the unit is properly sized according to the heat loss. Air intake is from the back and the heated air exits from the grill on the bottom of the front panel. The integral thermostat is located on the right hand side of the unit. Temperatures of 41 °F (5 °C) to 86 °F (30 °C) can be selected. The unit can be connected to a wall mounted room thermostat if desired. In that case turn the integral thermostat to its highest setting.

Care

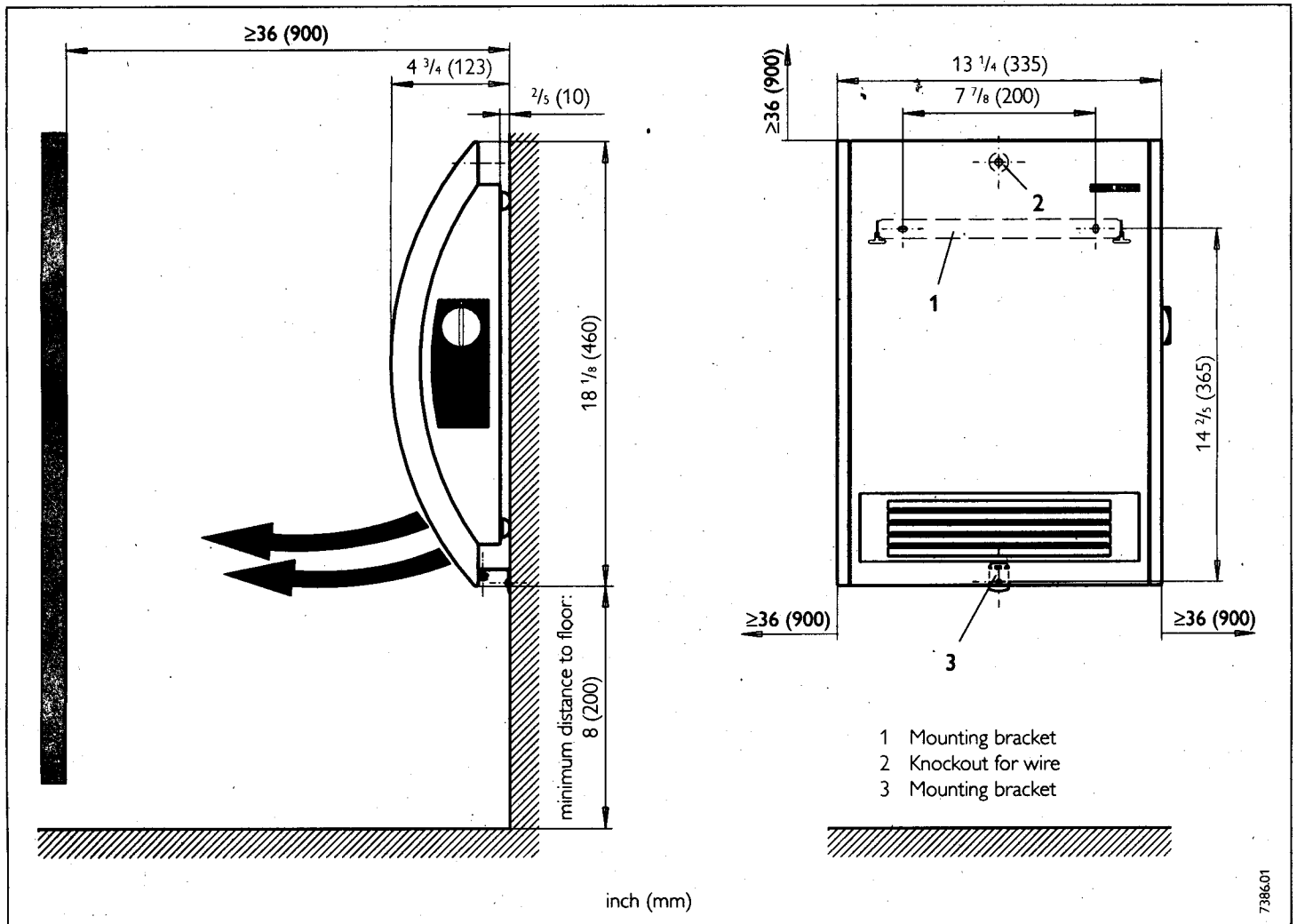
To clean the heater wipe with a moist cloth – if necessary use a mild detergent.

Operation

Rotate the temperature selection knob **N1** to the required room temperature (between 41 °F (5 °C) – 86 °F (30 °C)). Once the selected room temperature has been reached the thermostat automatically switches off the heater.

Switching off heating/frost protection

To switch from heating to frost protection, rotate the temperature selection knob **N1** counter clockwise to the stop. If the frost protection feature is not required switch off the heater at the circuit breaker.



738601

Fig. 2

Installation instructions

Please retain these instructions for future reference by service personnel. In the event of change of ownership, please hand these instructions to the new owner.

Mounting

Fix the mounting bracket to the wall and hang the heater onto the lugs. The supplied angle bracket **(3)** should be located at the base of the unit (see Fig. 2). A minimum clearance of 10 mm must be maintained from the wall.

⚠ The fan heater must only be attached to a vertical wall capable of withstanding 194 °F (90 °C) minimum. Refer to Fig. 2 for minimum clearance distances.

Electrical connections

⚡ The heater is only suited for 120V, 208V and 240V alternating current.

All electrical installation work must be carried out in accordance with national and regional electrical codes.

Please comply with the rating plate. The indicated voltage must be same as the one supplied. Use wire of sufficient gauge. In case of ROMEX wire, install 1/2" ROMEX connector in knockout **(2)**. In case of Greenfield, please use 1/2" Greenfield connector./

The heater must not be mounted immediately under a wall outlet.

Safety equipment

CK 15 E and CK 20 E are equipped with high limit temperature protection, which switches off the heating element and the fan in the event of a malfunction. If the high limit temperature protection is triggered, the cause must be

determined (for example: covered air exit opening). The heater will operate again after a cooling time of several minutes. If the high limit temperature protection is triggered repeatedly advice should be sought from Stiebel Eltron.

⚠ Hand over the operating and installation instructions to the user. Explain the functions of the unit and ensure that user pays particular attention to the safety instructions, especially the fact that the air inlet and outlet must never be covered.

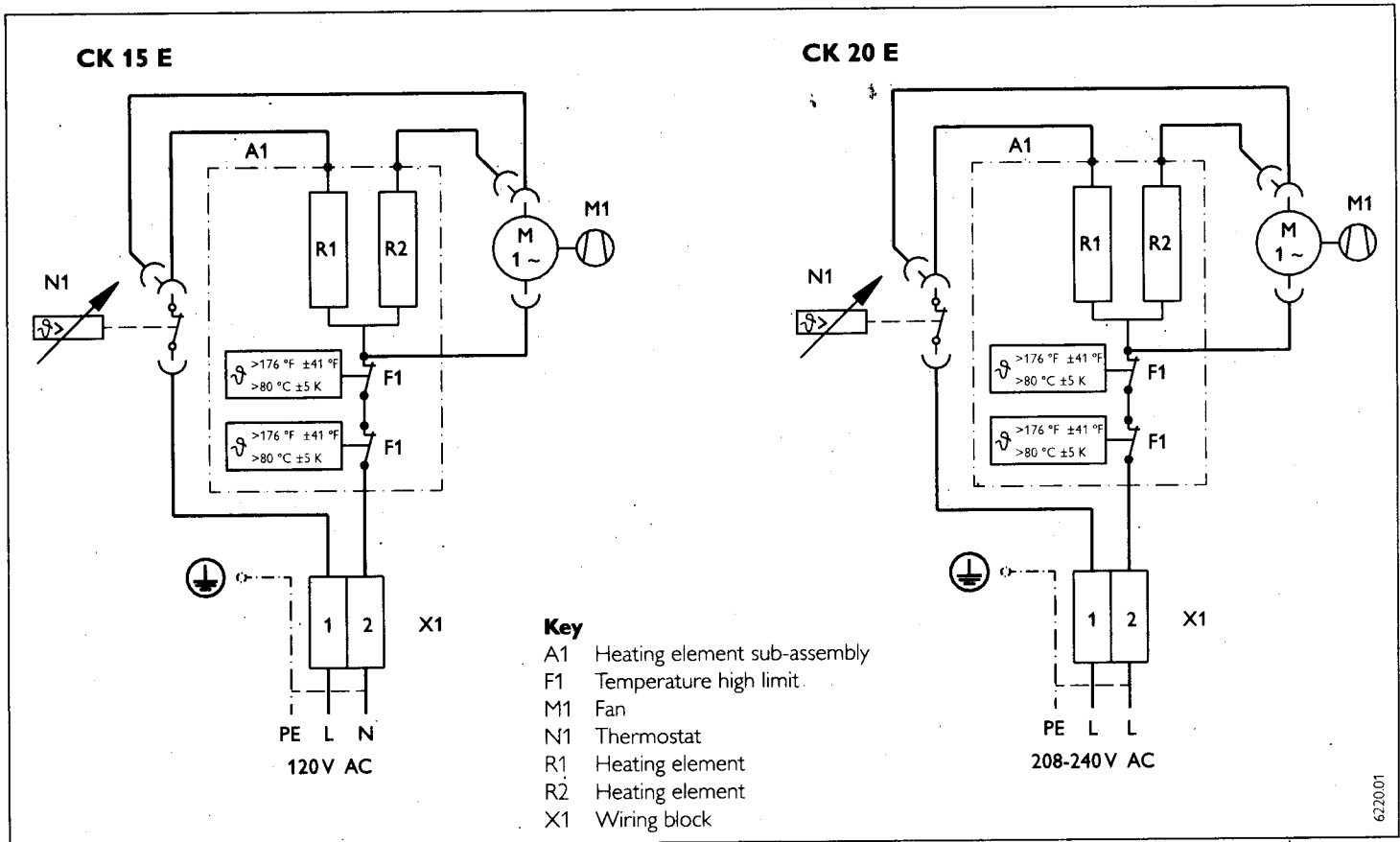
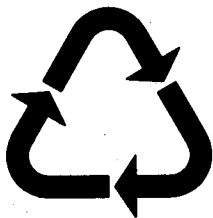


Fig. 3

Technical data

	CK 15 E	CK 20 E
Volt / Amp / kW	120V / 12,5 A / 1,5 kW	240V / 7,5 A / 2,0 kW
Circuit breaker size required	15 A	
Min. supply wire gauge, copper	14 AWG	
Heating element	bare wire	
Thermostat	bimetal	
High limit	bimetal	
Motor	18 Watt shaded pole	
Blower	galvanized steel, squirrel cage type	
Height x Width x Depth	18 1/8" (460 mm) x 13 1/4" (335 mm) x 4 3/4" (123 mm)	
Weight	8,0 lb (4,4 kg)	
Housing	Painted steel / plastic	
Licences / certificates	ETL (U.S.A.) and C-ETL (Canada) listed	

Tab. 1



PBTP/ASA	Polybutylenterephtalat/Acrylnitril-Styrol-Acrylester
PA	Polyamid
PC	Polycarbonat
PE	Polyethylen
PS	Polystyrol
Si	Silicon

Fig. 4