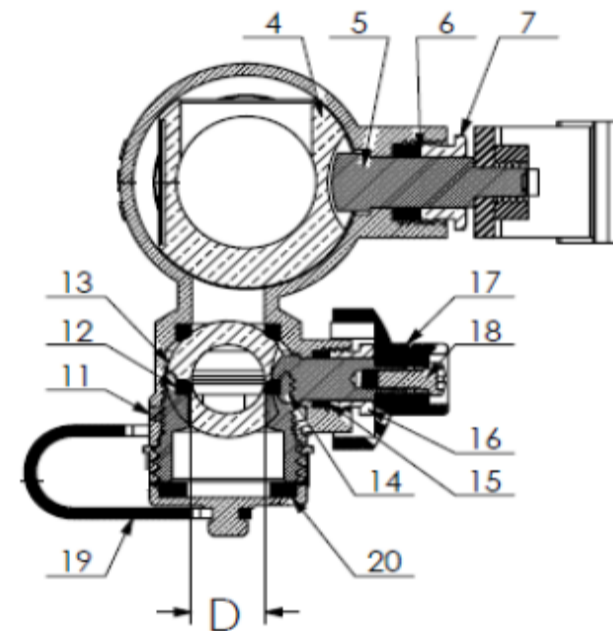
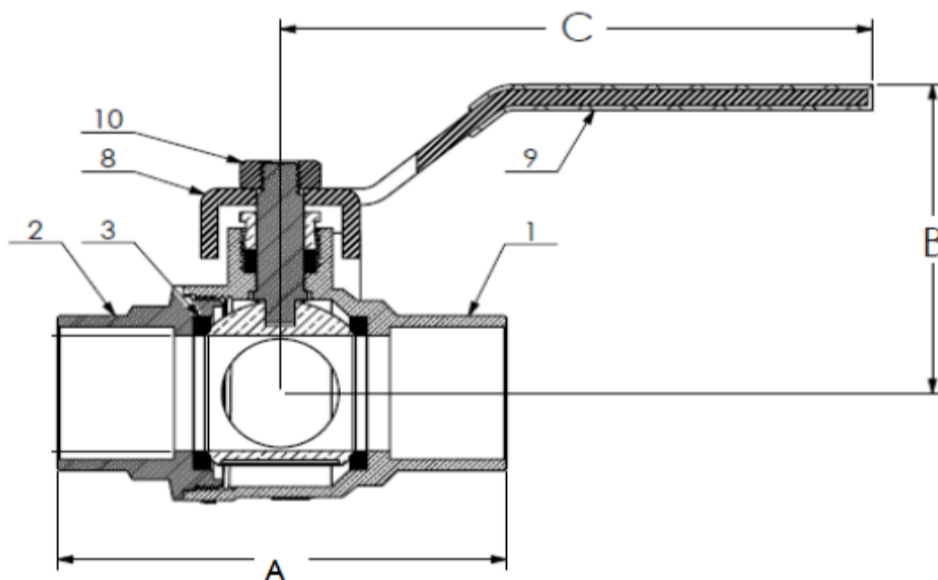


H-x061 Series

Pro-Pal Ball Drain
 Full Port Forged Brass Ball Valve
 w/ Hi-Flow Hose Drain,
 Reversible Handle
 & Adjustable Packing Glands



NO.	DESCRIPTION	MATERIAL
1	Body	Brass
2	Cap	Brass
3	Seat	PTFE
4	Ball	Brass HCP
5	Stem	Brass
6	Packing	PTFE
7	Packing Gland	Brass
8	Handle	Steel CP
9	Handle Jacket	Vinyl
10	Handle Nut	Stainless Steel
11	Cap	Brass
12	Seat	PTFE
13	Ball	Brass HCP
14	Stem	Brass
15	Packing	PTFE
16	Packing Gland	Brass
17	Handle	Aluminum
18	Handle Screw	Brass
19	Cap & Strap	Brass W/ PVC Strap
20	Gasket	EPDM



Designed for residential, commercial or industrial use. This approved Webstone valve is actuated by a blowout proof stem.

ITEM#	Connection Type	SIZE (in)	Pressure Rating	Max Temp	A	B	C	D
H-40612	FIP	1/2	600 PSI CWP Max	350°F Max	2.50	2.00	3.88	0.50
H-40613	FIP	3/4	600 PSI CWP Max	350°F Max	2.63	2.06	3.88	0.50
H-40614	FIP	1	600 PSI CWP Max	350°F Max	3.25	2.63	4.63	0.50
H-40615	FIP	1 1/4	600 PSI CWP Max	350°F Max	3.50	3.00	4.63	0.75
H-40616	FIP	1 1/2	600 PSI CWP Max	350°F Max	3.88	3.50	5.63	0.75
H-40617	FIP	2	600 PSI CWP Max	350°F Max	4.38	4.00	5.63	0.75
H-50612	SWT	1/2	600 PSI CWP Max	250°F Max	2.00	2.00	3.88	0.50
H-50613	SWT	3/4	600 PSI CWP Max	250°F Max	2.88	2.06	3.88	0.50
H-50614	SWT	1	600 PSI CWP Max	250°F Max	3.56	2.63	4.63	0.50
H-50615	SWT	1 1/4	600 PSI CWP Max	250°F Max	3.88	3.00	4.63	0.75
H-50616	SWT	1 1/2	600 PSI CWP Max	250°F Max	4.63	3.50	5.63	0.75
H-50617	SWT	2	600 PSI CWP Max	250°F Max	5.50	4.00	5.63	0.75
H-54612	SWT x FIP	1/2	600 PSI CWP Max	250°F Max	2.06	2.00	3.88	0.50
H-54613	SWT x FIP	3/4	600 PSI CWP Max	250°F Max	2.75	2.06	3.88	0.50
H-54614	SWT x FIP	1	600 PSI CWP Max	250°F Max	3.38	2.63	4.63	0.50
H-80612	Press	1/2	250 PSI CWP Max	250°F Max	3.75	1.94	3.88	0.50
H-80613	Press	3/4	250 PSI CWP Max	250°F Max	4.44	2.13	3.88	0.50
H-80614	Press	1	250 PSI CWP Max	250°F Max	4.81	2.63	4.63	0.50
H-80615	Press	1 1/4	250 PSI CWP Max	250°F Max	5.50	3.00	4.63	0.75

