



DiaNorm Towel Warmer

- Affordable Comfort and Elegance
- Individual Room Temperature Control

DiaNorm

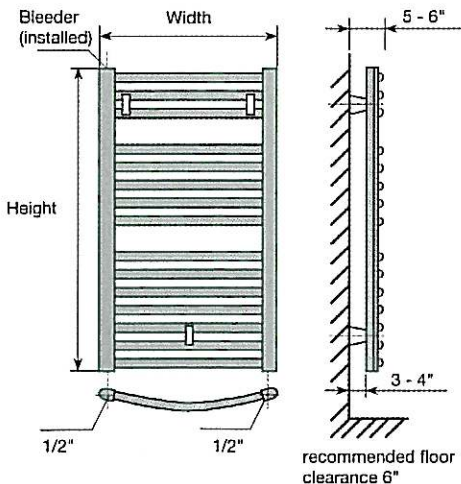
DiaNorm Towel Warmer

DiaNorm Towelwarmers Noblesse NB

DiaNorm towel warmers are built to the highest design and quality standards by PURMO of Germany. "Noblesse NB" has been designed for hot water with operating pressures of up to 120 psi and temperatures of up to 220° F.

Finish

Standard finish is white epoxy powder coating to RAL 9016 that can easily be painted over with any other color. However, many additional colors are available from the factory.



Supply and Return Water Tappings (1/2" fem.)

are located at the bottom of the vertical tubes and reversible.

Standard 1/8" air bleeder

is installed at the top of the right hand vertical tube. Mounting brackets are included.

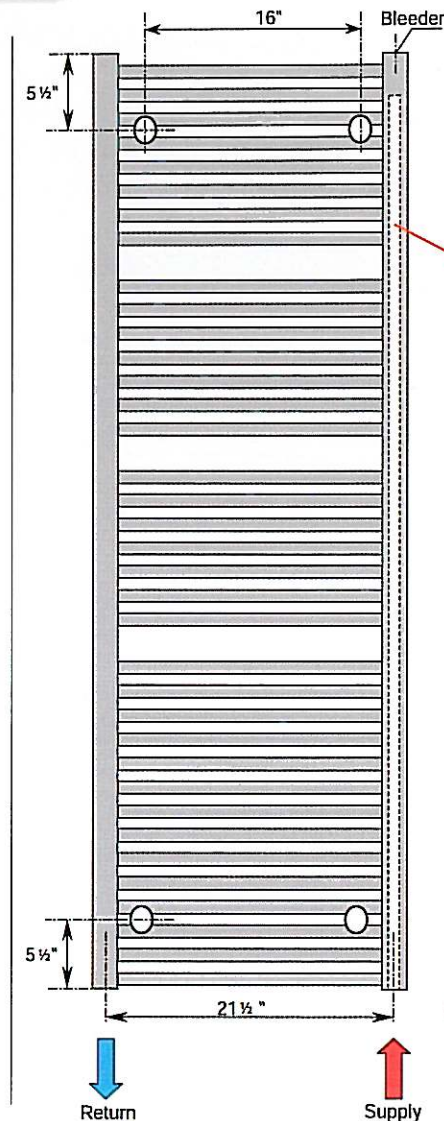
Matching thermostatic valves (with or without built-in flow setter) and non-electric thermostatic actuators are optional.

Warranty

DiaNorm Towel Warmers come with a 5 year limited warranty.

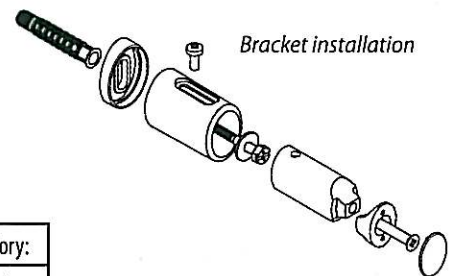
Operation Limits

Hot water only (no steam)
Operating pressure: up to 120 psi
Operating temperature: up to 220 °F



Installation Guide

- To ensure the maximum output, a Supply Injection Tube has been factory installed in the **RIGHT** bottom tapping (Left side - Return - contains a red colored plug).
- Supply Injection Tube
- If you choose to connect Return at the right side and Supply to the left bottom tapping, remove plastic tube from the right side and install opposite (left) side prior to hooking up water connections. Tube can easily be removed without tools (your finger will do)!
- The distance between wall and tapping is adjustable from 2-1/2" to 3-1/2". Recommended floor clearance 6".
- If a one-pipe injection valve - such as Heimeier M 3876 "Single entry (1-pipe) valve for towel warmer" - is being used, remove and discard tube.
- All (4) brackets must be secured to studs or other supports of sufficient strength for towel warmer PLUS water.



Dimensions and Outputs of Models Kept in US Inventory:

Width inches	Height inches	Output* BTU/H	Water Capacity	Weight net
23 5/8"	31 1/2"	2,000	1.2 Gal	16.5 lbs
23 5/8"	47 1/4"	3,000	1.8 Gal	25.0 lbs
23 5/8"	70 7/8"	4,500	2.7 Gal	35.0 lbs

*Outputs at 190/170° F supply/return and 68° F room temperature.
Additional models and colors are available with 6-8 weeks lead time.

Your Distributor

DiaNorm Towel Warmers
of Purmo DiaNorm Wärme AG
D-38690 Vienenburg
Germany

Brought to you by:

heatlines

Importer of Quality European Heating Products

Heatlines, LLC.

Exclusive Importer for US and Canada

(603) 437-1667

Heatlines@Comcast.net

www.Heatlines.com