



DiaNorm Panel Radiation

- More Comfort
- Less Wall Space
- Individual Room Temperature Control

DiaNorm

DiaNorm Panel Radiation

Why Panel Radiation?

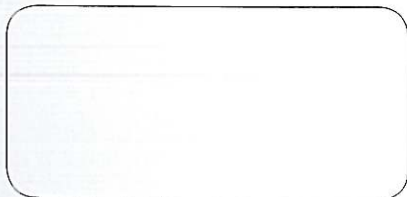
Panel radiation is used to heat 80% of Western European homes and has been on the market for over 50 years. Each radiator is its own "zone," allowing for individual room temperature control and creating an environment with comfortable radiant heat. Compared to baseboard heating, it takes up to 75 % less wall space, making it a more space-efficient heating option.

Why DiaNorm Panel Radiators?

DiaNorm has produced millions of high quality radiators and is considered top-of-the-line in Europe. With an attractive design, their high quality is synonymous with lasting value. The engineered, efficient heat transfer is also economically sound. DiaNorm panel radiators generate comfortable heat at lower water temperatures than baseboard heating. Panel radiators can be piped with plastic "PEX" tubing that makes it much easier to install than copper. With DiaNorm you buy state-of-the-art technology.

The Material

DiaNorm Radiators are made of high quality 1.25 mm FePO1 steel. The finish is epoxy powder coating that is baked at 400° F. The Final Color is white to RAL 9010 that can easily be painted over with any color.



Your Distributor



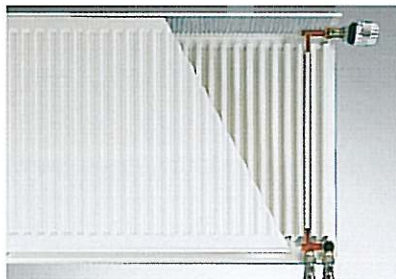
The Quality and Warranty

DiaNorm radiators are built to the highest quality standards and carry quality seals such as DIN, TÜV, EN, RAL, NF. The factory has been one of the first to receive ISO 9002 certification. If properly installed, DiaNorm radiators come with a 5 year limited warranty.



Bottom Tappings

Water connections are not exposed, but located at the bottom. If installed in one-pipe "series loop" installations, diverting valves can be supplied that will reduce installation time and the amount of materials used. A unique flow setter built into the thermostatic valve allows the installer to regulate the water flow through each radiator, eliminating the installation of additional fittings.



Temperature Control

An integral thermostatic radiator valve and a standard thermostatic head allow automatic and nonelectric adjustment of the water flow and temperature according to the temperature setting. Since every radiator has its own temperature control, you can decide what individual room temperature you would prefer.



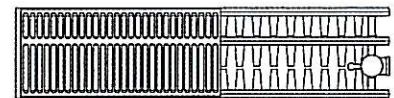
Type 11

Single panel with one row of convector fins. Depth: 2-5/8"



Type 22

Double panel with two rows of convector fins. Depth: 3-3/4"



Type 33

Double panel with three rows of convector fins. Depth: 5-7/8"
Special order

Location of Connections and Valve

11 Radiators come standard with right hand connections. Left hand connections are available upon request.

22 and # 33 Radiators can be turned 180 degrees and allow right hand or left hand hook-up.

Operation Limits

Forced hot water (FHW) only
(no steam)

Operating pressure: up to 145 psi

Operating temperature: up to 220 °F

DiaNorm Radiators
of Purmo DiaNorm Wärme AG
D-38690 Vienenburg
Germany

Brought to you by:

 **heatlines**

Importer of Quality European Heating Products

Heatlines, LLC.

Exclusive Importer for US and Canada

(603) 437-1667

Heatlines@Comcast.net

www.Heatlines.com

Dimensions and Outputs of Stock Models

Height	8"		12"		16"		20"		24"		36"	
Style	22	11	22	11	22	11	22	11	22	11	22	
Length	BTU/h	BTU/h	BTU/h	BTU/h	BTU/h	BTU/h	BTU/h	BTU/h	BTU/h	BTU/h	BTU/h	
24"	2126	1488	2620	1938	3238	2368	4026	2777	4692	3900	6582	
36"	3187	2228	3934	2907	4859	3552	6039	4169	7036	5852	9874	
48"	4248	2972	5244	3873	6479	4732	8052	5558	9380	7800	13163	
64"	5664	3961	6991	5166	8639	6312	10738	7411	12505	10400	17555	
72"	6374	4459	7865	5811	9717	7100	12078	8336	14071	11700	19749	

Output at 190° F Supply, 170° F Return and 68° F Room Temperature

For outputs at different temperatures (and a complete list of available radiator sizes through DiaNorm by special order), please refer to the interactive Excel Spread provided for download under "Downloads" on our website:

<http://www.heatlines.com/downloads.html> (first list item under Dianorm Panel Radiators)

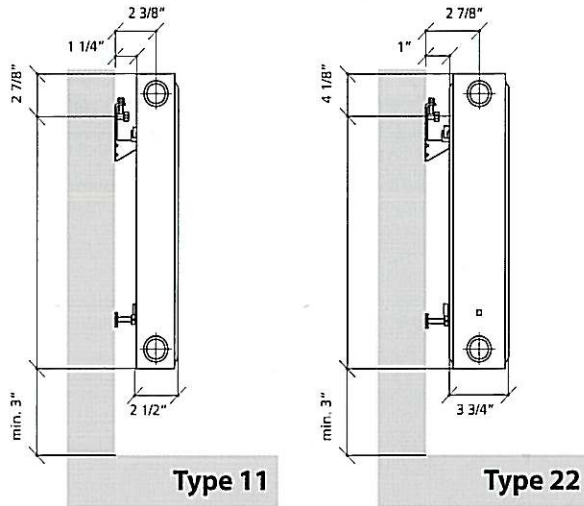
Open the downloaded file in Excel and type in the desired temperature in the yellow highlighted boxes on top of the spread sheet. Then hit "return" and the new results will be displayed in the table.

Water Content in Gal/ft

Type/Height	8"	12"	16"	20"	24"	36"
11	-	0.12	0.18	0.23	0.27	0.36
22	0.20	0.27	0.36	0.44	0.53	0.69

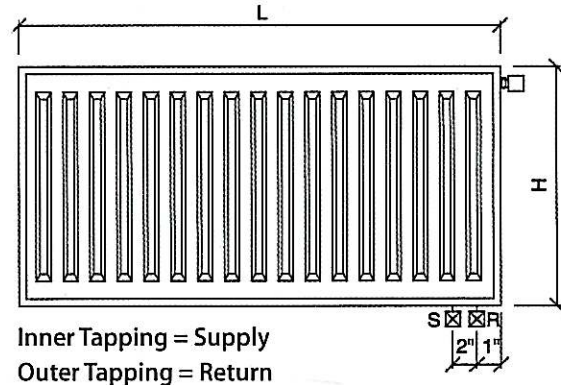
Weight in lbs/ft

Type/Height	8"	12"	16"	20"	24"	36"
11	-	6.05	8.47	10.82	13.10	10.49
22	9.14	10.95	15.91	18.61	22.44	34.07

Rough-In Dimensions for Type 11 and Type 22


Other model types upon request

Delivery includes Bottom Tappings, Thermostatic Radiator Valve with Flow Setter (Oventrop GH[®]), Vent Plug, and Mounting Brackets



DiaNorm Radiators
 of Purmo DiaNorm Wärme AG
 D-38690 Vienenburg
 Germany
 Brought to you by:


heatlines
 Importer of Quality European Heating Products

Heatlines, LLC.
 Exclusive Importer for US and Canada
 (603) 437-1667
 Heatlines@Comcast.net
 www.Heatlines.com

Technical Data Sheet of DiaNorm Panel Radiation
DiaNorm