



Specification:

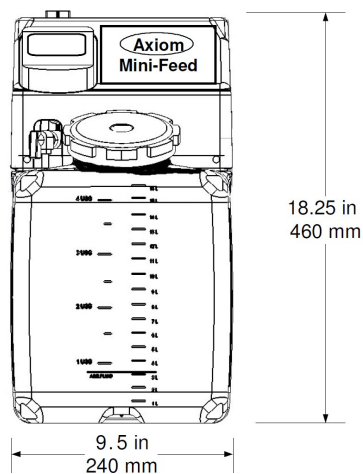
AXIOM Industries Hydronic Digital Mini System Feeder: DMF150

Hydronic system feeder shall be AXIOM INDUSTRIES LTD. Model DMF150. System shall include 17 litre (4.5 U.S. gallon) storage/mixing tank with molded-in level gauge, 125 mm (5") fill/access opening and cover; pump suction hose with inlet strainer; pressure pump with fuse protection; low fluid level pump cut-out float switch; manual diverter valve for purging air and agitating contents of storage tank; digital pressure switch adjustable from 0 kPa (0 psig) to 310 kPa (45 psig) cut-out pressure; factory cut-out pressure set to 115 kPa (18psig); digital pressure display, visual alarm on low level, low level alarm comes with remote dry contacts; wall mounting bracket. Unit to be c/w UL listed and fused power supply adapter with LED power indicator light, 100-240VAC/50-60Hz/1 to 24 VDC, supplied loose for field installation.

Feeder shall be compatible with glycol solutions of up to 50% concentration. Pump shall be capable of running dry without damage. Unit shall be completely assembled.

OPTION

RIA10-1-SAA – Low level Alarm Panel c/w Remote Monitoring Dry Contacts and Selectable Audible Alarm



Depth – 11.0 in (280 mm)
Clearances – Right/Left - 0 in (0mm)
provided side screws on lid are removed
upon installation
Clearances – Top – 3" (75mm)
Weight When Full 50lbs (23kg)
Discharge 1/2" FNPT