

Tech Data

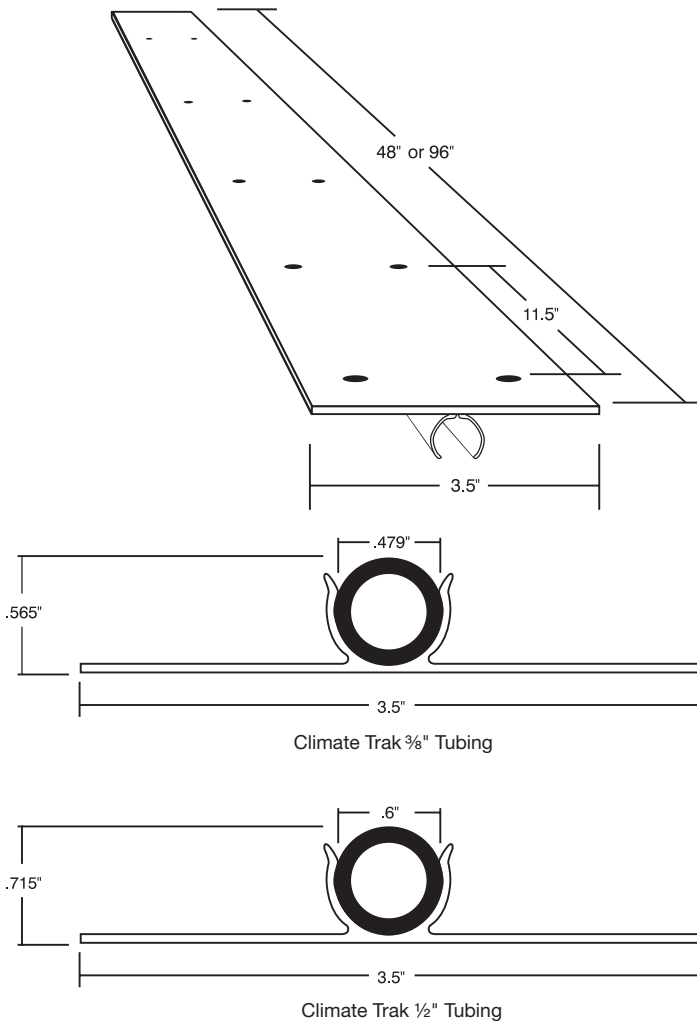
Viega Climate Trak[®]



This document is subject to updates. For the most current Viega technical literature please visit www.viega.us.



Viega products are designed to be installed by licensed and trained plumbing and mechanical professionals who are familiar with Viega products and their installation. **Installation by non-professionals may void Viega LLC's warranty.**



Description

Climate Traks are used for radiant heating applications in both new construction and retrofit applications.

The product is designed to strongly grip the PEX tubing without air gaps or the need for sealant/adhesives, ensuring high heat conduction. Climate Traks are fastened tightly to the underside of subfloor for maximum system performance.

Technical Data

Available for $\frac{3}{8}$ " or $\frac{1}{2}$ " ViegaPEX Barrier tubing, in 4 foot or 8 foot lengths.

Pre-drilled holes for attachment to subfloor (10 holes per 4 foot Trak, 20 holes per 8 foot Trak).

Specifications

Material

Extruded aluminum

Weight

$\frac{3}{8}$ " Plates:

■ Product No. 15209

4 foot length 1.07 lbs.

■ Product No. 15207

8 foot length 2.14 lbs.

$\frac{1}{2}$ " Plates:

■ Product No. 15210

4 foot length 1.16 lbs.

■ Product No. 15208

8 foot length 2.32 lbs.

Dimensions

$\frac{3}{8}$ " Plates:

■ 3.5" x 48" x 0.515"

■ 3.5" x 96" x 0.515"

$\frac{1}{2}$ " Plates:

■ 3.5" x 48" x 0.605"

■ 3.5" x 96" x 0.605"

V Viega LLC
585 Interlocken Blvd.
Broomfield, CO 80021

Phone (800) 976-9819
www.viega.us

TD-HC 1119 Climate Trak

