

DHC 3-1, DHC 3-2, DHC 4-2, DHC 4-3, DHC 5-2, DHC 6-2, DHC 8-2, DHC 10-2

English

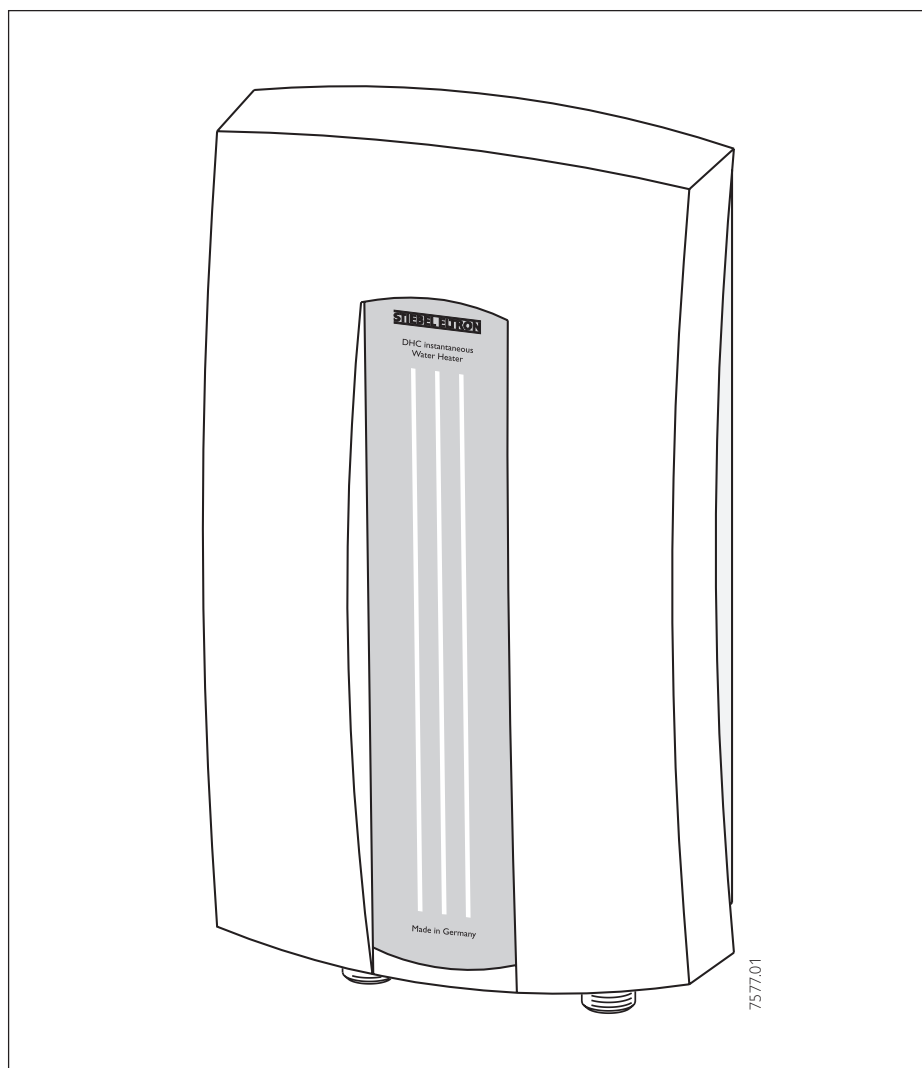
DHC TANKLESS ELECTRIC WATER HEATERS INSTALLATION INSTRUCTIONS FOR THE LICENSED PLUMBER AND ELECTRICIAN

Français

CHAUFFE-EAU ELECTRIQUES DHC SANS ACCUMULATEUR INSTRUCTIONS D'INSTALLATION POUR LE PLOMBIER ET L'ELECTRICIEN PROFESSIONNEL

Español

CALENTADORES DE AGUA INSTANTANEOS SIN TANQUE INSTRUCCIONES DE INSTALACION PARA EL PLOMERO Y ELECTRICISTA LICENCIADO.



English Table of contents

Temperature increase above ambient water temperature	2
General	6
Mounting the unit	7
Water connections	7
Electrical connection	7
Putting the water heater into operation ...	7
Normal maintenance	7
Technical Data	8
Troubleshooting	8
Spare parts	8
Warranty	15

Français Sommaire

Élévation de température au delà de la température ambiante de l'eau	2
Généralités	9
Montage de l'appareil	10
Raccordements d'eau	10
Raccordement électrique	10
Mise en œuvre du chauffe-eau	10
Maintenance normale	10
Caractéristiques techniques	11
Dépannage	11
Pièces détachées	11
Garantie	15

Español Tabla de Contenido

Aumento de temperatura del agua	2
General	12
Instalación física	13
Conexión de agua	13
Conexión eléctrica	13
Operación de la unidad	13
Mantenimiento	13
Datos técnicos	14
Resolución de incidencias-Troubleshooting	14
Repuestos	14
Garantía	15

Temperature increase above ambient water temperature.

Élévation de température au delà de la température ambiante de l'eau.

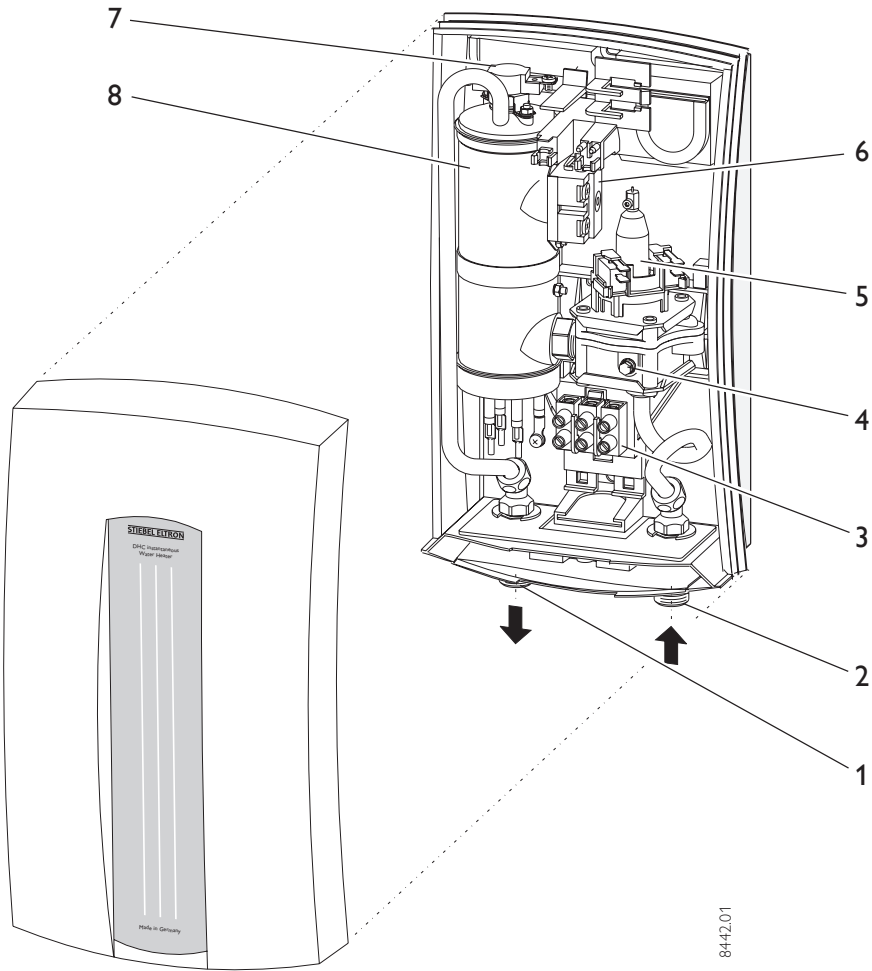
Aumento de temperatura del agua.

		[°F]									
Typ / Type	kW	GPM (gallon par minute / galones por minuto)									
		0.32	0.42	0.48	0.5	0.69	0.75	0.79	1.0	1.5	2.0
DHC 3-1	3.0	65	49	43	41	30	27	26	20	14	10
DHC 3-2	2.5	54	40	35	34	25	23	21	17	11	9
	3.3	71	53	47	45	33	30	28	22	15	11
DHC 4-2	2.9	-	47	41	40	29	26	25	20	13	10
	3.8	-	61	54	52	38	35	33	26	17	13
DHC 4-3	4.5	-	73	64	61	45	41	39	31	20	15
DHC 5-2	3.6	-	58	51	49	36	33	31	25	16	12
	4.8	-	77	68	65	48	44	41	33	22	16
DHC 6-2	4.5	-	-	64	61	45	41	39	31	20	15
	6.0	-	-	85	82	60	55	52	41	27	20
DHC 8-2	5.4	-	-	-	-	54	49	46	37	25	18
	7.2	-	-	-	-	71	65	62	49	33	25
DHC 10-2	7.2	-	-	-	-	-	-	62	49	33	25
	9.6	-	-	-	-	-	-	82	65	44	33

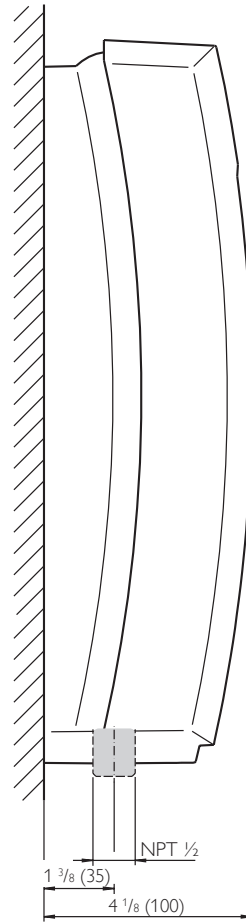
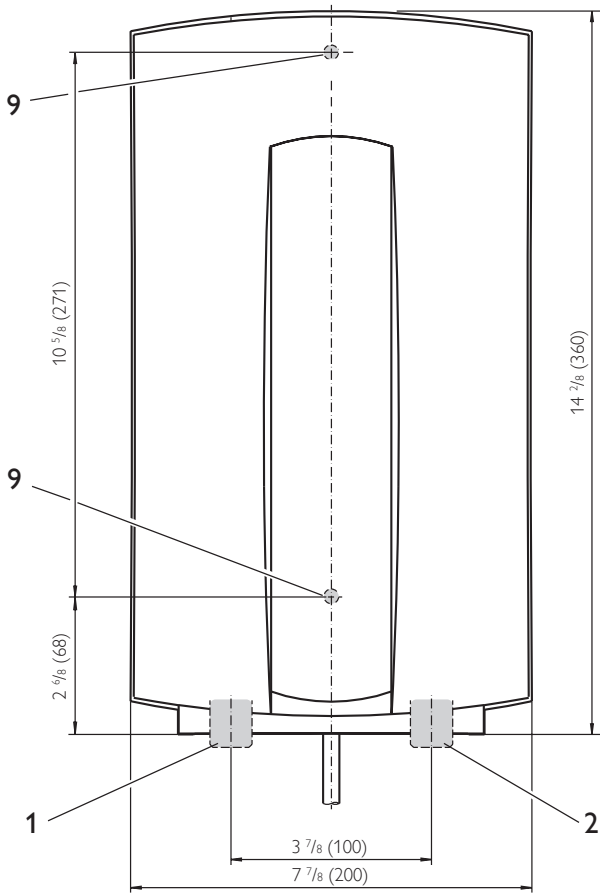
Min. water flow to activate unit. / Débit d'eau minimum pour activer l'appareil. /
 Flujo de agua mínimo para activar la unidad.

		[°C]								
Typ / Type	kW	l/min / l/mn								
		1.2	1.6	1.8	2.0	2.6	3.0	4.0	5.0	7.5
DHC 3-1	3.0	36	27	24	22	17	14	11	9	6
DHC 3-2	2.5	30	22	20	18	14	12	9	7	5
	3.3	39	30	26	24	18	16	12	9	6
DHC 4-2	2.9	-	26	23	21	16	14	10	8	6
	3.8	-	34	30	27	21	18	14	11	7
DHC 4-3	4.5	-	40	36	32	25	22	16	13	9
DHC 5-2	3.6	-	32	29	26	20	17	13	10	7
	4.8	-	43	38	34	26	23	17	14	9
DHC 6-2	4.5	-	-	36	32	25	22	16	13	9
	6.0	-	-	48	43	33	29	22	17	11
DHC 8-2	5.4	-	-	-	-	30	26	19	15	10
	7.2	-	-	-	-	40	34	26	21	14
DHC 10-2	7.2	-	-	-	-	-	34	26	21	14
	9.6	-	-	-	-	-	46	34	28	18

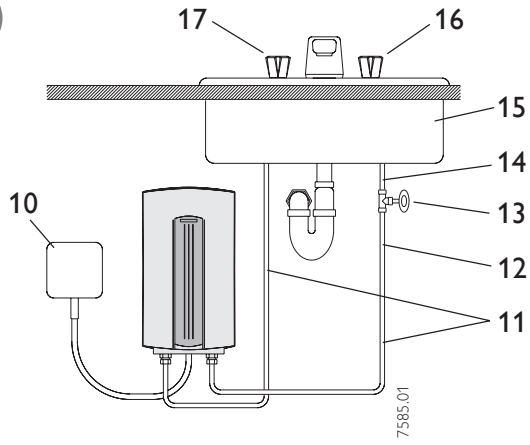
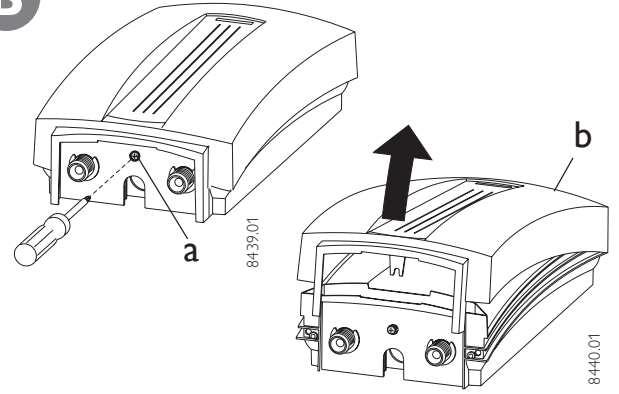
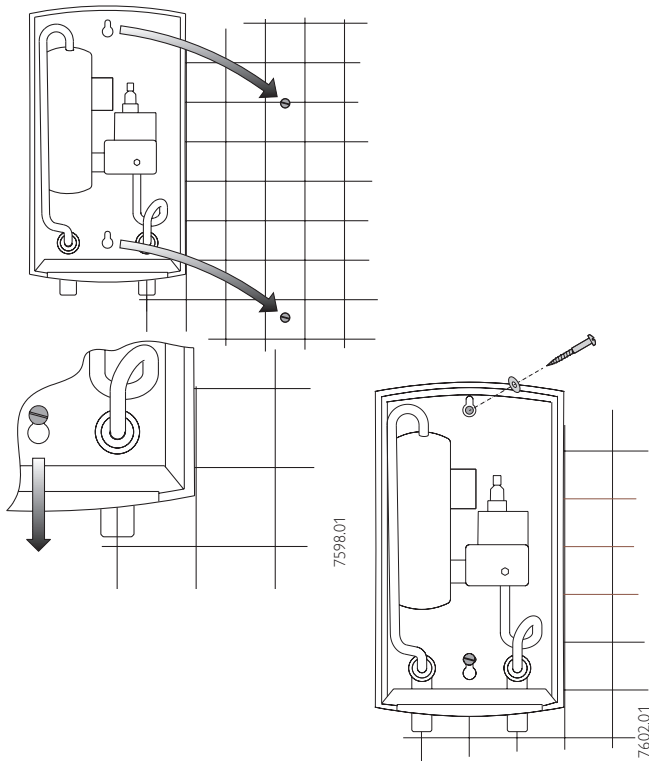
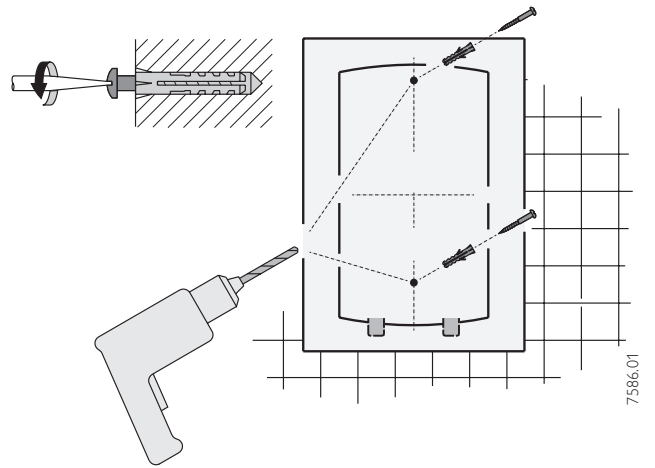
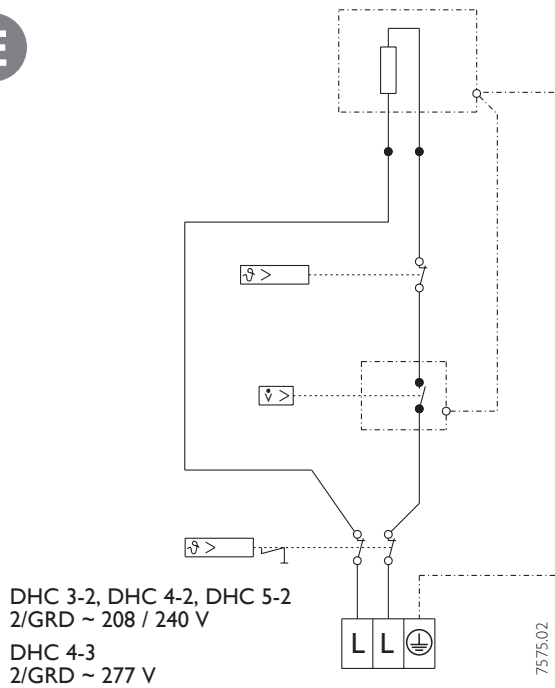
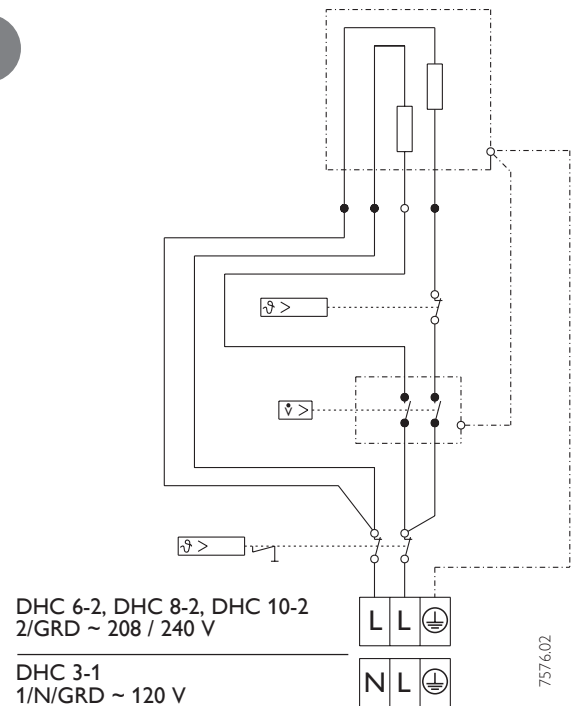
Min. water flow to activate unit. / Débit d'eau minimum pour activer l'appareil. /
 Flujo de agua mínimo para activar la unidad.

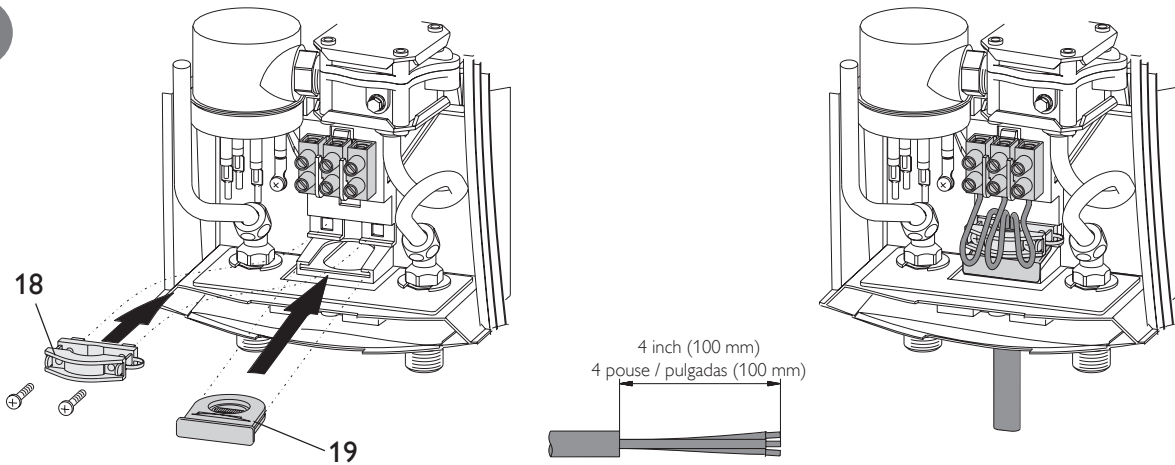


8442.01

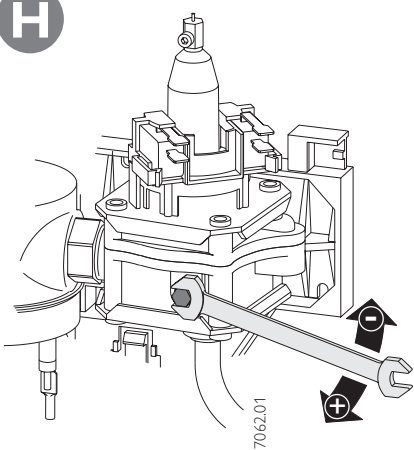
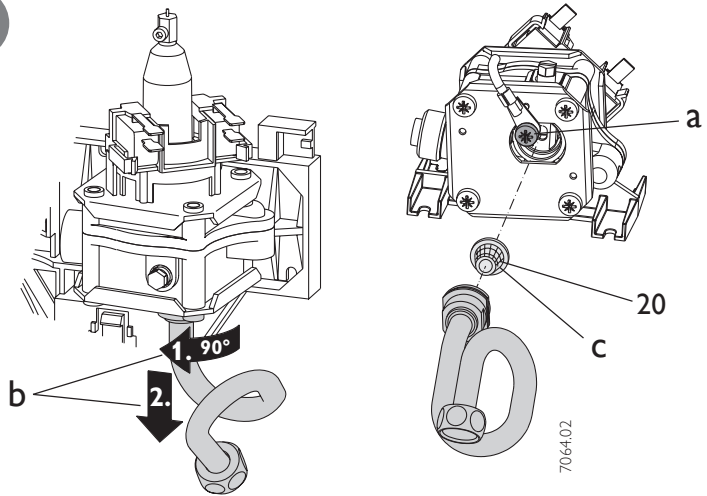
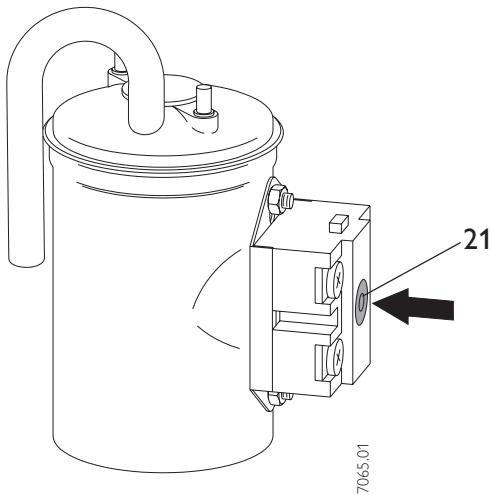
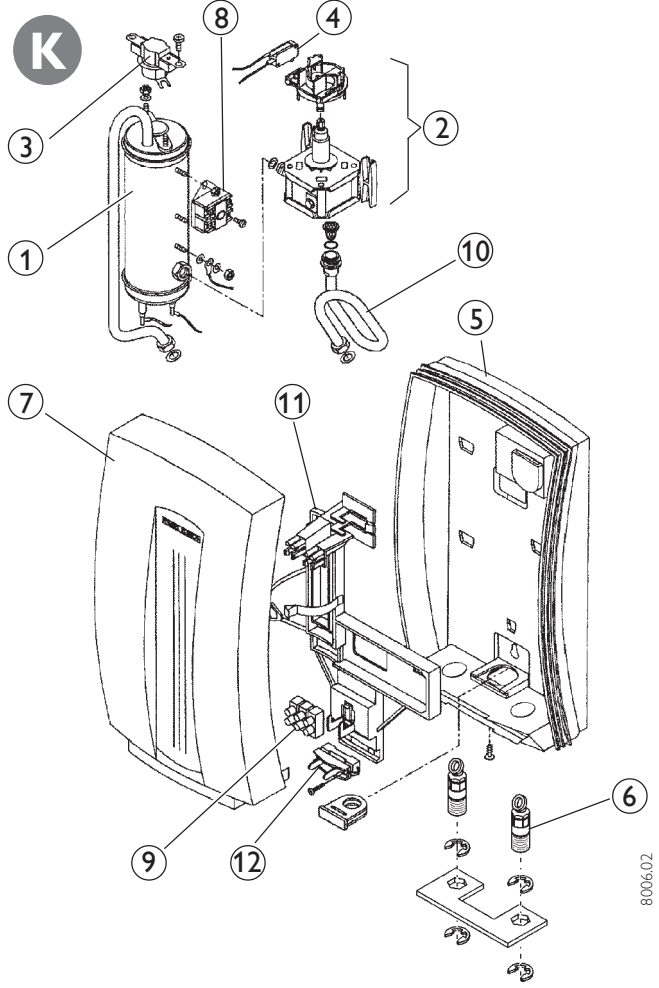


7587.01

A**B****D****C****E****F**

G

8441.01

H**I****J****K**

THIS MANUAL MUST BE READ CAREFULLY BEFORE ATTEMPTING TO INSTALL THE DHC WATER HEATER. IF YOU DO NOT FOLLOW THE SAFETY RULES OR THE INSTRUCTIONS OUTLINED IN THIS MANUAL, THE UNIT MAY NOT OPERATE PROPERLY AND IT COULD CAUSE PROPERTY DAMAGE, SERIOUS BODILY INJURY AND/OR DEATH.

STIEBEL ELTRON, INC. WILL NOT BE LIABLE FOR ANY DAMAGES BECAUSE OF FAILURE TO COMPLY WITH THE INSTALLATION AND OPERATING INSTRUCTIONS OUTLINED IN THIS MANUAL OR BECAUSE OF IMPROPER USE. IMPROPER USE INCLUDES THE USE OF THIS APPLIANCE TO HEAT ANY LIQUID OTHER THAN WATER. FAILURE TO COMPLY WITH THE INSTALLATION AND OPERATING INSTRUCTIONS OR IMPROPER USE VOIDS WARRANTY. NEVER REMOVE THE UNIT'S PLASTIC COVER UNLESS THE ELECTRICITY IS TURNED OFF.

IF YOU HAVE ANY QUESTIONS REGARDING THE INSTALLATION OR OPERATION OF THIS WATER HEATER, OR IF YOU NEED AN ADDITIONAL INSTALLATION MANUAL, PLEASE CALL OUR TECHNICAL SERVICE LINE AT 800-582-8423 (USA AND CANADA ONLY). IF YOU ARE CALLING FROM OUTSIDE THE U.S. AND CANADA, PLEASE CALL USA 413-538-7850 AND WE WILL REFER YOU TO A QUALIFIED STIEBEL ELTRON SERVICE REPRESENTATIVE IN YOUR AREA.

Legend to figures

- 1 Hot water connection
- 2 Cold water connection
- 3 Wiring block
- 4 Flow adjustment screw
- 5 Flow switch
- 6 Safety thermal cut out with reset button
- 7 Thermostat
- 8 Heating system
- 9 Mounting holes
- 10 Electrical junction box
- 11 Water supply line for faucet installation
- 12 3/8" compression-T
- 13 Shut-off valve
- 14 1/2" main pipe
- 15 Sink
- 16 Cold valve (right)
- 17 Hot valve (left)
- 18 Wire strain relief clamp
- 19 Wire inlet
- 20 Filter screen
- 21 Reset button from safety thermal cut out

General

The DHC tankless water heater differs from conventional storage type water heaters in several ways. It does not store hot water. Instead, water is heated instantaneously as it flows through the unit. The powerful heating elements are activated by a flow switch as water is drawn from a hot water faucet connected to the DHC. Due to the absence of stand-by losses, the DHC has greater energy efficiency than storage type water heaters.

The temperature of the hot water delivered by the DHC depends on the wattage of the heating element, the temperature of the incoming cold water, and the water flow rate through the unit. In order for the DHC to operate properly, it must be carefully matched to the application.

In case you have questions regarding the way you plan to use the DHC, please call our technical service line at 800-582-8423 (USA and Canada). For service outside the U.S. and Canada, please call us at USA 413-538-7850. You can also e-mail us at info@stiebel-eltron-usa.com or fax us at 413-538-8555.

The DHC can be used for hand washing type applications in the U.S. and Canada:

- Restroom sinks in commercial/industrial facilities and homes
- Kitchen areas in commercial /industrial facilities and homes
- Cabins
- Special uses in photo developing shops, laboratories etc.

The DHC can also be used for whole apartments and homes in warm climate zones such as the Caribbean region, Central America and Mexico due to the higher ambient water temperatures.

Mounting the unit

⚠ UNIT MUST BE INSTALLED IN A VERTICAL POSITION WITH THE WATER FITTINGS POINTING DOWNWARD. DO NOT INSTALL UNIT WHERE IT WOULD ROUTINELY BE SPLASHED WITH WATER. ELECTRIC SHOCK MAY RESULT.

1. Install DHC as close as possible to the hot water draw-off point, for example, directly underneath the sink or next to the shower stall.
2. Install DHC in a frost free area. If frost may occur, remove unit before freezing temperatures set in.
3. Leave a minimum of 5" of clearance on all sides for servicing.
4. Remove plastic cover **B**.
5. Mount unit securely to wall by putting two screws through mounting holes **C** **D**. Screws and plastic wall anchors for mounting on masonry or wood are provided.

Water connections

1. All plumbing work must comply with national and applicable state and local plumbing codes.
2. A pressure reducing valve must be installed if the cold water supply pressure exceeds 150 PSI (10 bar).
3. Make certain that the cold water supply line has been flushed to remove any scale and dirt.
4. Install isolating valve in cold water line as shown in illustration **A**-13. This allows the unit to be isolated for maintenance purposes.
5. Cold water connection (inlet) is on the right side of the unit, hot water connection (outlet) is on the left side of unit.

⚠ NOTE: EXCESSIVE HEAT FROM SOLDERING ON COPPER PIPES NEAR THE DHC MAY CAUSE DAMAGE.

6. Tankless water heaters such as the DHC are not required to be equipped with a Pressure and Temperature Relief Valve (PTRV). If the local inspector will not pass the installation without a PTRV, it should be installed on the hot water outlet side of unit.
7. In case you are connecting to 1/2" water pipe, solder 1/2" NPT tapered female adapter by copper on ends of cold and hot water lines. In case you are connecting to 3/8" water pipe, use a 1/2" female pipe thread by 3/8" compression adapter. Braided flexible connectors will work as well. Connect cold and hot water lines to the unit.
8. When all plumbing work is completed, check for leaks and take corrective action before proceeding.

Electrical connection

⚠ WARNING: BEFORE BEGINNING ANY WORK ON THE ELECTRIC INSTALLATION, BE SURE THAT MAIN BREAKER PANEL SWITCH IS „OFF“ TO AVOID ANY DANGER OF ELECTRIC SHOCK. ALL MOUNTING AND PLUMBING MUST BE COMPLETED BEFORE PROCEEDING WITH ELECTRICAL HOOK-UP. WHERE REQUIRED BY LOCAL, STATE OR NATIONAL ELECTRICAL CODES THE CIRCUIT SHOULD BE EQUIPPED WITH A „GROUND FAULT INTERRUPTER“.

1. All electrical work must comply with national and applicable state and local electrical codes.
2. The DHC should be connected to a properly grounded dedicated branch circuit of proper voltage rating. In installations with several DHC units, each unit requires an independent circuit. Please refer to the technical data table for the correct wire and circuit breaker size.
3. The wire must be fed through the rubber seal located between the hot and cold water connections **G**. Then feed wires through strain relief clamp and tighten clamp down on wire. The „live“ wires must be connected to the slots on the terminal block marked N and L (DHC 3-1 only) or L and L (all other versions). The ground wire must be connected to slot marked with the ground symbol.
4. Reinstall plastic cover.

⚠ WARNING: AS WITH ANY ELECTRIC APPLIANCE, FAILURE TO ELECTRICALLY GROUND UNIT MAY RESULT IN SERIOUS INJURY OR DEATH.

Putting the water heater into operation

⚠ WARNING: OPEN HOT WATER FAUCET FOR A FEW MINUTES UNTIL WATER FLOW IS CONTINUOUS AND ALL AIR IS PURGED FROM WATER PIPES. THE UNIT'S PLASTIC COVER MUST BE INSTALLED BEFORE THE CIRCUIT BREAKER IS TURNED ON.

1. Turn on circuit breaker to bring electrical power to the unit.
2. Open hot water faucet to a degree so that water flow is „typical“ i.e. until the water flow is the same as that encountered during normal use.
3. Wait twenty seconds until temperature has stabilized. Then check water temperature. If temperature is too low, the water flow rate needs to be reduced. In order to do this, turn off the unit's circuit breaker, remove the cover and turn the flow adjustment screw shown in illustration **H** clockwise 1/2 turn

(180 degrees). Then reinstall plastic cover, turn on circuit breaker and check water temperature. This procedure should be repeated until the desired temperature is achieved. In case the water temperature is too high, turn the flow adjustment screw counter clockwise in the same manner until the desired temperature is achieved. The arrows in illustration **H** refer to the water temperature.

4. In order to obtain temperature control at a single spout mixer-type faucet, restrict cold water flow to faucet by partially closing the cold water shut-off valve under the sink until cold water and hot water flow rates are approximately the same.

Normal maintenance

STIEBEL ELTRON DHC tankless heaters are designed for a very long service life. Actual life expectancy will vary with water quality and use. The unit itself does not require any regular maintenance. However, to ensure consistent water flow, it is recommended to periodically remove scale and dirt that may build up at the aerator of the faucet or in the shower head. Also, the DHC has a built in filter screen that should be cleaned from time to time. In order to do this, turn off the cold water supply at the isolating valve and remove the ground wire **I**. Twist cold water supply tube counterclockwise by 90° and pull towards bottom of unit. Clean screen and put the screen, the cold water supply tube and the ground wire back into their original position. Please be sure that the ground wire is reinstalled and that ground screw is securely tightened after this procedure.

⚠ OTHER THAN THE FILTER SCREEN, THE DHC DOES NOT CONTAIN ANY PARTS SERVICEABLE BY THE LAY PERSON. IN CASE OF MALFUNCTION PLEASE CONTACT A LICENSED PLUMBER OR ELECTRICIAN.

Technical Data

Model	DHC 3-1		DHC 3-2		DHC 4-2		DHC 4-3		DHC 5-2		DHC 6-2		DHC 8-2		DHC 10-2	
Phase	1		1		1		1		1		1		1		1	
Voltage V	120	208	240	208	240	277	208	240	208	240	208	240	208	240	208	240
Wattage kW	3.0	2.5	3.3	2.9	3.8	4.5	3.6	4.8	4.5	6.0	5.4	7.2	7.2	9.6		
Ampere A	25	12	14	14	16	17	18	20	22	25	26	30	35	40		
Min. required circuit breaker size A	30	15	20	20	20	20	30	30	30	30	40	40	40	50		
Recommended wire size AWG COPPER	10	14	12	12	12	12	10	10	10	10	8	8	8	8		
Min. water flow to activate unit GPM / l/min	0.32 / 1.2	0.32 / 1.2		0.42 / 1.6		0.42 / 1.6	0.42 / 1.6		0.48 / 1.8		0.69 / 2.6		0.79 / 3.0			
Pressure loss in unit PSI / bar	2.88 / 0.23	2.88 / 0.23		2.88 / 0.23		2.88 / 0.23	2.88 / 0.23		2.88 / 0.23		3.13 / 0.25		3.75 / 0.30			
Nominal water volume	0.13 GAL / 0.5 l															
Working pressure max.	150 PSI / 10 bar															
Tested to pressure	300 PSI / 20 bar															
Weight lbs. / kg	4.6 / 2.1	5.3 / 2.4		5.3 / 2.4		4.6 / 2.1	4.6 / 2.1		5.3 / 2.4		5.3 / 2.4		5.3 / 2.4			
Water connections	1/2" NPT															

- Suitable for supply with cold water
- Tankless water heaters are considered a non-continuous load
- Conductors should be sized to maintain a voltage drop of less than 3 % under load

Troubleshooting

Symptom	Possible cause	Solution
No hot water but audible click can be heard when water is turned on	<ul style="list-style-type: none"> – circuit breaker off – safety thermal cut-out tripped 	<ul style="list-style-type: none"> – circuit breaker on. – reset thermal cut-out J.
No hot water and no audible click can be heard when water is turned on	<ul style="list-style-type: none"> – water flow too low to activate flow switch 	<ul style="list-style-type: none"> – clean faucet aerator. – open shut-off valve completely. – open flow adjustment screw H. – clean filter screen at DHC unit I.
Water not warm enough	<ul style="list-style-type: none"> – water flow too high – voltage too low 	<ul style="list-style-type: none"> – reduce water flow, close flow adjustment screw H. – supply correct voltage to unit.

If you are not able to resolve a problem please contact us toll free at 800-582-8423 before removing the unit from the wall. STIEBEL ELTRON is happy to provide technical assistance. In most instances, we can resolve the problem over the phone.

Spare parts **K**

No. Spare part	Model	DHC 3-1	DHC 3-2	DHC 4-2	DHC 4-3	DHC 5-2	DHC 6-2	DHC 8-2	DHC 10-2						
① Heating system		16 58 89	16 77 69	16 77 70	16 58 90	16 77 71	17 11 17	16 77 72	16 77 73						
② Flow switch		16 52 73	16 52 73	16 21 62	16 21 62	16 21 62	17 11 05	16 21 64	16 21 65						
③ Thermostat		16 24 72													
④ Switch		16 80 26													
⑤ Housing (back)		16 58 91													
⑥ Plumbing connection		17 07 89													
⑦ Housing (front)		16 58 92													
⑧ Safety thermal cut out		16 24 74													
⑨ Wiring block		16 22 02	16 50 49												
⑩ Copper tube		16 23 14													
⑪ Module chassis		16 24 62													
⑫ Wire strain relief clamp		05 57 54													

LIRE ATTENTIVEMENT CE MANUEL AVANT D'ESSAYER D'INSTALLER LE CHAUFFE-EAU DHC. SI VOUS NE SUIVEZ PAS LES CONSIGNES DE SECURITE OU LES INSTRUCTIONS DEFINIES DANS CE MANUEL, L'APPAREIL RISQUE DE NE PAS FONCTIONNER CORRECTEMENT ET POURRAIT CAUSER DES DOMMAGES MATERIELS, DE SERIEUSES BLESSURES ET/OU LA MORT.

STIEBEL ELTRON, INC. NE SERA PAS RESPONSABLE DE DOMMAGES DUS A LA NON OBSERVATION DES INSTRUCTIONS D'INSTALLATION ET DE FONCTIONNEMENT DECRITES DANS CE MANUEL OU DUS A UNE UTILISATION INAPPROPRIEE. L'UTILISATION INAPPROPRIEE COMPREND EGALEMENT L'USAGE DE CET APPAREIL POUR CHAUFFER UN AUTRE LIQUIDE QUE DE L'EAU. LA NON OBSERVATION DES INSTRUCTIONS D'INSTALLATION ET DE FONCTIONNEMENT OU L'UTILISATION INAPPROPRIEE ANNULENT LA GARANTIE. NE JAMAIS RETIRER LE CACHE EN PLASTIQUE AVANT D'AVOIR COUPE L'ELECTRICITE.

POUR TOUTE QUESTION CONCERNANT L'INSTALLATION OU LE FONCTIONNEMENT DE CE CHAUFFE-EAU, OU SI VOUS AVEZ BESOIN D'UN MANUEL D'INSTALLATION SUPPLEMENTAIRE, TELEPHONEZ A NOTRE SERVICE TECHNIQUE AU N° 800-582-8423 (USA ET CANADA SEULEMENT), SI VOUS APPELEZ D'UN AUTRE PAYS, APPELEZ NOTRE N° 413-538-7850 AUX USA ET NOUS VOUS INDIQUERONS UN REPRESENTANT DU SERVICE APRES-VENTE QUALIFIE DE STIEBEL ELTRON SITUE DANS VOTRE ZONE GEOGRAPHIQUE.

Légendes des figures

- 1 Raccordement d'eau chaude
- 2 Raccordement d'eau froide
- 3 Bloc de câblage
- 4 Vis de réglage du débit
- 5 Commutateur de débit
- 6 Disjoncteur de sécurité avec bouton de réarmement
- 7 Thermostat
- 8 Système de chauffage
- 9 Trous de montage
- 10 Boîte de raccordement électrique
- 11 Conduite d'alimentation en eau pour installation à robinet
- 12 T de réduction 3/8"
- 13 Vanne de fermeture
- 14 Tuyau principal 1/2"
- 15 Evier
- 16 Robinet d'eau (droit)
- 17 Robinet d'eau (gauche)
- 18 Collier de serrage
- 19 Entrée de câble
- 20 Filtre
- 21 Bouton de réarmement du disjoncteur de sécurité

Généralités

Le chauffe-eau DHC sans accumulateur diffère à plusieurs égards des chauffe-eau conventionnels à ballon d'eau chaude. Il ne stocke pas d'eau chaude. En fait, l'eau est chauffée instantanément lorsqu'elle passe dans l'appareil. Les puissants éléments chauffants sont activés par un commutateur de débit lorsque l'eau est tirée d'un robinet d'eau chaude relié au DHC. Comme il n'y a pas de perte due à la réserve d'eau, le DHC a une plus grande efficacité énergétique que les chauffe-eau à accumulation. La température de l'eau chaude fournie par le DHC dépend de la puissance de l'élément chauffant, de la température de l'eau froide d'arrivée et du débit de l'eau à travers l'appareil. Afin que le DHC fonctionne correctement, il doit répondre exactement à son application.


Au cas où vous auriez des questions sur la manière dont vous prévoyez d'utiliser le DHC, n'hésitez pas à appeler notre service technique au n° 800-582-8423 (USA et Canada). Pour le service après-vente dans les autres pays, appelez nous au n° 413-538-7850 aux USA, vous pouvez aussi nous envoyer un e-mail à l'adresse info@stiebel-eltron-usa.com ou nous envoyer un fax au n° suivant: 413-538-8555.

Le DHC peut être utilisé pour se laver les mains, aux USA et au Canada:

- Lavabos dans les toilettes de locaux commerciaux / industriels et d'habitations
- Cuisines dans les locaux commerciaux / industriels et les habitations
- Cabines
- Usages spéciaux dans les magasins de développement de photos, les laboratoires, etc.

Le DHC peut aussi être utilisé pour des appartements entiers et des habitations dans des zones à climat chaud comme dans la région des caraïbes, l'Amérique Centrale et le Mexique en raison des températures d'eau ambiante plus élevées.


Montage de l'appareil

 L'APPAREIL DOIT ETRE INSTALLE EN POSITION VERTICALE AVEC LES SORTIES D'EAU DIRIGES VERS LE BAS. NE PAS INSTALLER L'APPAREIL A UN ENDROIT OU IL SERAIT REGULIEREMENT ECLABOUSSE. UN CHOC ELECTRIQUE POURRAIT EN RESULTER.

1. Installer le DHC aussi près que possible du point de tirage d'eau chaude, par exemple directement en dessous de l'évier ou juste à côté de la cabine de douche.
2. Installer le DHC dans une zone non exposée au gel. En cas de risque de gel, enlever l'appareil avant l'apparition des températures négatives.
3. Laisser un minimum de 5" d'espace libre sur tous les côtés pour la maintenance.
4. Enlever le cache en plastique **(B)**.
5. Fixer solidement l'appareil en faisant coulisser les trous de montage sur les deux vis préalablement fixées au mur **(C)** et **(D)**. Les vis et les chevilles en plastique pour montage sur maçonnerie ou bois sont fournies.

Raccordements d'eau


1. Tout le travail de plomberie doit répondre aux normes de plomberie nationales et locales applicables.
2. Une vanne de réduction de pression doit être installée si la pression d'alimentation d'eau froide dépasse 150 PSI (10 bar).
3. Assurez-vous que la conduite d'alimentation d'eau froide a été purgée pour enlever tout dépôt ou saleté.
4. Installer une vanne d'isolation dans la conduite d'eau froide comme le montre l'illustration **(A)**-13. Cela permet à l'appareil d'être isolé pour des opérations de maintenance.
5. Le raccordement d'eau froide (entrée) est situé du côté droit de l'appareil, le raccordement d'eau chaude (sortie) est situé du côté gauche de l'appareil.

 ATTENTION! UNE CHALEUR EXCESSIVE DE SOUDAGE SUR LES TUYAUX DE CUIVRE A PROXIMITE DU DHC PEUT CAUSER DES DEGATS.


6. Les chauffe-eau sans accumulateur tels que le DHC n'ont pas besoin d'être équipés d'une vanne de décharge de température et de pression. Si l'inspecteur local n'agrée pas l'installation sans cette vanne, la vanne devra être installée du côté de la sortie d'eau chaude de l'appareil.
7. Si vous faites un branchement à un tuyau d'eau d'1/2", soudez un adaptateur femelle conique de 1/2" NPT avec du cuivre aux extrémités des conduites d'eau froide et d'eau chaude. Si vous faites un branchement à un tuyau d'eau de 3/8", utilisez un tuyau femelle d'1/2" fileté avec un adaptateur de réduction de 3/8". Les raccords flexibles tressés conviendront également. Connectez les conduites d'eau froide et d'eau chaude à l'appareil.

8. Lorsque tout le travail de plomberie est terminé, chercher les fuites et prendre une action corrective avant d'aller plus loin.


Raccordement électrique

 ATTENTION: AVANT DE COMMENCER TOUTE OPERATION SUR L'INSTALLATION ELECTRIQUE, S'ASSURER QUE L'INTERRUPTEUR DU DISJONCTEUR PRINCIPAL EST EN POSITION "ARRET" POUR EVITER TOUT RISQUE D'ELECTROCUTION. TOUTES OPERATIONS DE MONTAGE ET DE PLOMBERIE DOIVENT ETRE TERMINEES AVANT DE PROCEDER A L'ASSEMBLAGE ELECTRIQUE. SI LES NORMES ELECTRIQUES LOCALES OU NATIONALES L'EXIGENT, LE CIRCUIT DOIT ETRE EQUIPE D'UN "INTERRUPTEUR DE TERRE".

1. Toutes les opérations électriques doivent répondre aux normes électriques nationales et locales applicables.
2. Le DHC doit être relié à un circuit de branchement dédié, correctement mis à la terre et d'une tension adéquate. Dans les installations ayant plusieurs DHC, chaque unité a besoin d'un circuit indépendant. Se référer au tableau de caractéristiques techniques pour la bonne taille des câbles et du coupe-circuit.
3. Le câble doit être alimenté à travers le joint de caoutchouc situé entre les branchements de l'eau chaude et de l'eau froide **(G)**. Ensuite, faire passer le câble à travers le collier de serrage et resserrer le collier sur le câble. Les extrémités dénudées des câbles doivent être insérées dans les fentes sur le bloc terminal marqué N et L (pour le DHC 3-1 seulement) ou L et L (pour toutes les autres versions). Le conducteur de terre doit être inséré dans la fente identifiée par le symbole de la terre.
4. Réinstaller le cache en plastique.

 ATTENTION: COMME AVEC N'IMPORTE QUEL APPAREIL ELECTRIQUE, L'ABSENCE DE MISE A LA TERRE PEUT ENTRAÎNER LA MORT.

Mise en œuvre du chauffe-eau


 ATTENTION: OUVRIR LE ROBINET D'EAU CHAUDE QUELQUES MINUTES AVANT QUE LE DEBIT D'EAU SOIT CONTINU ET QUE TOUT L'AIR SOIT PURGE DES CANALISATIONS D'EAU. LE CACHE EN PLASTIQUE DE L'APPAREIL DOIT ETRE INSTALLE AVANT QUE LE DISJONCTEUR SOIT MIS EN POSITION DE MARCHÉ.

1. Mettre le disjoncteur en position de "marche" pour amener l'électricité à l'appareil.

2. Ouvrir le robinet d'eau chaude à un degré tel que l'écoulement d'eau soit "typique" c'est-à-dire avant que l'écoulement d'eau soit le même que celui qu'on rencontre en utilisation normale.
3. Attendre vingt secondes jusqu'à ce que la température soit stabilisée. Ensuite, vérifier la température de l'eau. Si la température est trop basse, le débit d'eau doit être réduit. Pour ce faire, fermer le disjoncteur de l'appareil, enlever le cache et tourner la vis de réglage de débit, montrée dans l'illustration **(H)**, d'un 1/2 tour (à 180 degrés) dans le sens horaire. Ensuite, réinstaller le cache en plastique, remettre le disjoncteur en position "marche" et vérifier la température de l'eau. Cette procédure doit être répétée jusqu'à ce que la température désirée soit atteinte. Au cas où la température de l'eau est trop élevée, tourner de la même manière la vis de réglage de débit dans le sens anti-horaire jusqu'à ce que la température désirée soit atteinte. Les flèches dans l'illustration **(H)** se réfèrent à la température de l'eau.
4. Afin d'obtenir le contrôle de la température sur un robinet unique de type mitigeur, limiter le débit d'eau froide au robinet en fermant partiellement la vanne de fermeture d'eau froide sous l'évier jusqu'à ce que les débits d'eau froide et d'eau chaude soient approximativement les mêmes.

Maintenance normale

Les chauffe-eau DHC de STIEBEL ELTRON sont conçus pour une très longue durée de vie. La durée de vie réelle escomptée va varier avec la qualité et l'utilisation de l'eau. L'appareil lui-même ne nécessite pas de maintenance régulière. Cependant, pour assurer un écoulement d'eau homogène, il est recommandé d'enlever périodiquement les dépôts et saletés qui peuvent se constituer sur l'évent du robinet ou dans la pomme de douche. Le DHC a aussi un écran de filtrage intégré qui doit être nettoyé de temps en temps. Pour ce faire, fermer l'alimentation d'eau froide à la vanne d'isolation et enlever le conducteur de mise à la terre **(I)**. Tourner le tube d'alimentation d'eau froide dans le sens anti-horaire à 90° et tirer vers le fond de l'appareil. Nettoyer le filtre et remettre dans leur position d'origine le filtre, le tube d'alimentation d'eau froide et le conducteur de mise à la terre. S'assurer que le conducteur de mise à la terre est réinstallé et que la vis de mise à la terre est bien serrée après cette procédure.

 MIS A PART LE FILTRE, LE DHC NE CONTIENT AUCUNE PIECE NECESSITANT UN ENTRETIEN PARTICULIER. EN CAS DE MAUVAIS FONCTIONNEMENT, CONTACTER UN PLOMBIER OU UN ELECTRICIEN PROFESSIONNEL.

Caractéristiques techniques

Modèle	DHC 3-1	DHC 3-2		DHC 4-2		DHC 4-3	DHC 5-2		DHC 6-2		DHC 8-2		DHC 10-2		
Phase	1	1		1		1	1		1		1		1		
Voltage	V	120	208	240	208	240	277	208	240	208	240	208	240	208	240
Puissance	kW	3.0	2.5	3.3	2.9	3.8	4.5	3.6	4.8	4.5	6.0	5.4	7.2	7.2	9.6
Intensité	A	25	12	14	14	16	17	18	20	22	25	26	30	35	40
Taille minimale nécessaire du disjoncteur	A	30	15	20	20	20	20	30	30	30	30	40	40	40	50
Taille des fils de cuivre AWG COPPER		10	14	12	12	12	12	10	10	10	10	8	8	8	8
Écoulement d'eau minimum pour activer l'appareil	GPM / l/min	0.32 / 1.2	0.32 / 1.2		0.42 / 1.6		0.42 / 1.6	0.42 / 1.6		0.48 / 1.8		0.69 / 2.6		0.79 / 3.0	
Perte de pression dans l'appareil	PSI / bar	2.88 / 0.23	2.88 / 0.23		2.88 / 0.23		2.88 / 0.23	2.88 / 0.23		2.88 / 0.23		3.13 / 0.25		3.75 / 0.30	
Volume d'eau nominal		0.13 GAL / 0.5 l													
Pression de travail maximale		150 PSI / 10 bar													
Testée à la pression		300 PSI / 20 bar													
Poids	libres / kg	4.6 / 2.1	5.3 / 2.4		5.3 / 2.4		4.6 / 2.1	4.6 / 2.1		5.3 / 2.4		5.3 / 2.4		5.3 / 2.4	
Branchements d'eau		1/2" NPT													

- Convenant pour l'alimentation en eau froide
- Les chauffe-eau sans accumulateur sont considérés comme charge non continue
- Les conducteurs doivent être calibrés pour maintenir une chute de tension de moins de 3% sous charge

Dépannage

Symptôme	Cause possible	Solution
Pas d'eau chaude mais on entend un cliquetis quand l'eau est ouverte	<ul style="list-style-type: none"> – disjoncteur fermé – le disjoncteur de sécurité s'est déclenché 	<ul style="list-style-type: none"> – mettre le disjoncteur en marche. – réarmer le disjoncteur J.
Pas d'eau chaude et on n'entend pas de cliquetis quand l'eau est ouverte	<ul style="list-style-type: none"> – l'écoulement d'eau est trop bas pour activer le commutateur de débit 	<ul style="list-style-type: none"> – nettoyer l'évent du robinet. – ouvrir complètement la vanne de fermeture. – ouvrir la vis de réglage de débit H. – nettoyer le filtre sur l'appareil DHC I.
L'eau n'est pas assez chaude	<ul style="list-style-type: none"> – écoulement d'eau trop haut – tension trop basse 	<ul style="list-style-type: none"> – réduire l'écoulement d'eau, fermer la vis de réglage de l'écoulement H. – fournir la tension correcte à l'appareil.

Si vous n'arrivez pas à résoudre un problème, contactez nous en appelant le numéro gratuit 800-582-8423 avant d'enlever l'appareil du mur. STIEBEL ELTRON est heureuse de vous fournir son assistance technique. Dans la plupart des cas, il s'agit d'un problème que nous pouvons résoudre par téléphone.

Pièces de rechange **K**

N° de pièce de rechange	Modèle	DHC 3-1	DHC 3-2	DHC 4-2	DHC 4-3	DHC 5-2	DHC 6-2	DHC 8-2	DHC 10-2	
①	Système de chauffage	16 58 89	16 77 69	16 77 70	16 58 90	16 77 71	17 11 17	16 77 72	16 77 73	
②	Commutateur de débit	16 52 73	16 52 73	16 21 62	16 21 62	16 21 62	17 11 05	16 21 64	16 21 65	
③	Thermostat	16 24 72								
④	Commutateur	16 80 26								
⑤	Carter (arrière)	16 58 91								
⑥	Branchement de plomberie	17 07 89								
⑦	Carter (avant)	16 58 92								
⑧	Disjoncteur thermique de sécurité	16 24 74								
⑨	Bloc de câblage	16 22 02	16 50 49							
⑩	Tube de cuivre	16 23 14								
⑪	Châssis du module	16 24 62								
⑫	Collier de serrage	05 57 54								

ESTE MANUAL DEBE SER LEIDO CUIDADOSAMENTE Y EN SU TOTALIDAD. SI NO SE SIGUEN LAS INSTRUCCIONES ESPECIFICADAS EN ESTE MANUAL ANTES DE TRATAR DE INSTALAR UN CALENTADOR DE AGUA MODELO DHC, LA UNIDAD PUEDE QUE FUNCIONE INDEBIDAMENTE Y PUEDE CAUSAR DAÑOS A LA PROPIEDAD, SERIAS LESIONES AL CUERPO Y/O LA MUERTE.

STIEBEL ELTRON, INC.Y/O SU REPRESENTANTE NO SE HACEN RESPONSABLES POR CUALQUIER DAÑO OCASIONADO POR NO SEGUIR LAS INSTRUCCIONES DE INSTALACIÓN Y DE USO ESPECIFICADAS EN ESTE MANUAL NI POR USO IMPROPIO DEL PRODUCTO.

SI USTED TIENE CUALQUIER DUDA O PREGUNTA RELACIONADA CON LA OPERACIÓN O INSTALACIÓN DE ESTE CALENTADOR DE AGUA, POR FAVOR LLAME A NUESTRA LINEA DE SERVICIO TÉCNICO AL 800-582-8423 (PUERTO RICO: 787-787-1808). DESDE OTROS PAISES FAVOR LLAMAR AL 413-538-7850.

Leyenda

- 1 conexión de agua caliente
- 2 conexión de agua fría
- 3 bloque de alambrado
- 4 tornillo de ajuste de flujo
- 5 „Flow switch“
- 6 „Protección termal“
- 7 termostato
- 8 sistema de calentamiento
- 9 perforación para montaje
- 10 caja eléctrica
- 11 línea de agua
- 12 entrada a válvula T-3/8"
- 13 válvula de servicio
- 14 reducido a 1/2"
- 15 lavamanos
- 16 válvula de agua fría
- 17 válvula de agua caliente
- 18 abrazadera para cables eléctricos
- 19 entrada para cables
- 20 rejilla de filtrado
- 21 protección termal con botón de activación

General

Los calentadores de agua DHC difieren de los calentadores de tanque en muchas maneras. Este calentador no almacena agua caliente. Al contrario, calienta el agua instantáneamente cuando esta fluye a través de la unidad. El poderoso elemento que calienta, es activado solamente cuando se abre una llave de agua caliente la cual esta conectada al sistema alimentado por el calentador.

La temperatura del agua caliente suministrada por el DHC depende de la potencia del elemento resistivo y del flujo de agua que entra al calentador (DHC). Para que el DHC funcione adecuadamente debe ser instalado siguiendo cuidadosamente las instrucciones. Si usted tiene alguna pregunta sobre el funcionamiento y operación de su calentador DHC favor de llamar a nuestra línea de servicio técnico al 1-800-582-8423.

Usos

Los calentadores eléctricos DHC son ideales para el uso en casas, apartamentos o cabinas en áreas de un clima subtropical y tropical como el Caribe, muchas partes de México, Centro América y América del Sur.

Los modelos DHC ocupan muy poco espacio, son fáciles de instalar y proveen agua caliente continua y sin limite. Se pueden usar con sistemas eléctricos bien sea de 60 Hz o de 50 Hz.

La unidad se activa solo cuando hay demanda para agua caliente, evitando así, consumo y gasto innecesario de energía eléctrica y de agua.

Los importantes ahorros en el consumo de electricidad que ofrecen los modelos DHC pueden llegar hasta un 50 % cuando se comparan con el consumo de los calentadores eléctricos tipo "tanque".

INSTALACIÓN FÍSICA

⚠ LA UNIDAD DEBE INSTALARSE EN POSICIÓN VERTICAL CON LAS CONEXIONES DE AGUA EN LA PARTE DE ABAJO. NO INSTALE LA UNIDAD DONDE PUEDA MOJARSE, ESTO PODRÍA OCASIONAR UNA DESCARGA ELÉCTRICA.

1. Instale la unidad DHC lo más cerca posible del lugar de mayor uso de agua caliente.
2. Proveer un mínimo de cinco pulgadas a cada lado con fines de servicio.
3. Remover cubierta plástica **B**.
4. Instale la unidad DHC en la pared fijando los tornillos provistos en cada apertura de anclaje **C D**.

CONEXIÓN DE AGUA

1. Todo trabajo de plomería debe cumplir con los códigos de plomería. Nacional y/o Local.
2. Una válvula reductora de presión debe ser instalada si la línea de suministro de agua excede una presión de 150 PSI.
3. Asegúrese de dejar correr el agua por la línea de suministro antes de cualquier conexión para eliminar cualquier depósito o sucio en la misma.
4. Instalar válvula de servicio en línea de suministro de agua **A-13**. Esto permite aislar la unidad para propósitos de mantenimiento.
5. Conexión de agua de suministro (entrada) es al lado derecho de la unidad. La conexión de agua caliente (salida) debe ser al lado izquierdo de la unidad.

⚠ NOTA: CALOR EXESIVO DE LAS SOLDADURAS EN LAS LINEAS DE COBRE PUEDE CAUSAR DAÑOS AL CALENTADOR.

6. El calentador de agua DHC no requiere una válvula de alivio por presión y temperatura (PTRV). Si el inspector la requiere se debe instalarla después de la salida de agua caliente de la unidad.
7. Conectar uniones de 1/2 (media) pulgada NPT a sus respectivas líneas de agua fría o caliente. Proveer reductores cuando estos sean necesarios sin el código de plomería Nacional y/o Local.
8. Cuando finalice el trabajo de plomería verifique si hay goteos y corrija estos antes de proceder.

CONEXIÓN

⚠ PELIGRO: ANTES DE COMENZAR LA INSTALACION ELECTRICA ASEGURESE DE QUE EL INTERRUPTOR TERMOMAGNETICO PRINCIPAL DEL PANEL ELECTRICO ESTE APAGADO PARA EVITAR POSIBLE DESCARGA ELECTRICA.

NOTA: TODA INSTALACION ELECTRICA Y DE PLOMERIA DEBE COMPLETARSE ANTES DE ENCENDER EL INTERRUPTOR TERMOMAGNETICO PRINCIPAL. EL CIRCUITO DEBE SER EQUIPADO CON UN INTERRUPTOR DE CONEXIÓN A TIERRA („GROUND FAULT INTERRUPTER“) CUANDO SEA REQUERIDO POR EL CODIGO ELECTRICO NACIONAL Y/O LOCAL.

1. Todo trabajo eléctrico debe cumplir con las disposiciones del Colegio de Peritos Electricistas y Códigos Nacionales y/o Locales.
2. La unidad DHC debe tener su circuito independiente utilizando tres (3) alambres de cobre de tamaño apropiado y protegido por un interruptor termomagnético (breaker) correctamente seleccionado. Para instalar varias unidades DHC se requiere un circuito independiente para cada una.
3. La cablearía debe entrar a la unidad a través del sello de goma localizado en la parte inferior de la misma entre las conexiones de agua fría y caliente **G**. Alimente los cables a través de la abrazadera localizada dentro de la unidad y ajuste esta firmemente contra los cables. Los cables vivos deben ser conectados en los terminales N y L para los modelos DHC 3-1. El DHC 3-2 y en todos los demás modelos los cables vivos deben ser conectados en los terminales L y L (Favor ver diagramas E y F).
4. Reinstalar cubierta plástica. El cable de conexión a tierra „ground“ debe ser conectado al terminal marcado con el simbolo de tierra.

⚠ ADVERTENCIA: COMO CUALQUIER OTRO APARATO ELECTRICO EL NO CONECTARLO A TIERRA PUEDE RESULTAR EN UNA DESCARGA ELECTRICA, GRAVE LESION Y/O INCLUSO OCASIONAR MUERTE.

OPERACION DE LA UNIDAD

⚠ ADVERTENCIA: ABRA LA LLAVE DE AGUA CALIENTE POR VARIOS MINUTOS HASTA QUE EL FLUJO DE AGUA SEA CONTINUO Y TODO EL AIRE HAYA SALIDO DE LA TUBERIA. ADVERENCIA: LA COBERTURA PLASTICA DE LA UNIDAD DEBE SER INSTALADA ANTES DE ENCENDER EL „BREAKER“ DEL CIRCUITO.

1. Encender el „breaker“ del circuito para proveer corriente a la unidad. Abrir la llave de agua caliente a un punto típico, o sea, hasta que el flujo de agua sea igual al de uso normal. Espere 60 segundos hasta que la temperatura se estabilize.
2. Probar temperatura del agua, si la temperatura es muy baja, el flujo de agua debe ser reducido. Para reducir el flujo apague el „breaker“ de circuito, remueva cobertura plástica y dele media vuelta (180 grados) en dirección manecillas del reloj („clockwise“) al tornillo de ajuste de flujo (ver fig. 1).
3. Reinstale cobertura plástica, encienda el „breaker“ y verifique la temperatura del agua nuevamente. Este procedimiento debe repetirse hasta que se obtenga la temperatura de agua deseada. Por lo contrario, si la temperatura de agua es muy alta ajuste el tornillo de flujo, en contra de las manecillas del reloj (counterclockwise) de la misma manera hasta obtener la temperatura deseada.
4. Para obtener control de temperatura con una llave tipo mezcladora, restrinja el flujo de agua fría a la mezcladora cerrando parcialmente la llave de paso de dicha mezcladora hasta tanto el flujo de agua fría y caliente sean aproximadamente iguales.

MANTENIMIENTO

Los calentadores de agua Stiebel Eltron DHC estan diseñados para una larga y duradera vida de servicio. La vida útil del equipo depende de la calidad de agua y del uso. La unidad, de por si, no requiere de ningún tipo de mantenimiento. Sin embargo, para asegurar el flujo de agua se recomienda que se remuevan los depósitos que puedan acumularse en el filtro („aerator“) del lavamanos o en las duchas.

⚠ EN CASO DE MAL FUNCIONAMIENTO DEL EQUIPO FAVOR SOLICITAR LOS SERVICIOS DE UN PLOMERO O ELECTRICISTA CERTIFICADO. POR FAVOR NO INTENTE REPARARLO USTED MISMO.

DATOS TÉCNICOS

Modelo	DHC 3-1	DHC 3-2		DHC 4-2		DHC 4-3	DHC 5-2		DHC 6-2		DHC 8-2		DHC 10-2	
Fase	1	1		1		1	1		1		1		1	
Voltaje V	120	208	240	208	240	277	208	240	208	240	208	240	208	240
Potencia kW	3.0	2.5	3.3	2.9	3.8	4.5	3.6	4.8	4.5	6.0	5.4	7.2	7.2	9.6
AMPS A	25	12	14	14	16	17	18	20	22	25	26	30	35	40
Tamaño Mínimo Requerido del Interruptor Auto. "Braeker" A	30	15	20	20	20	20	30	30	30	30	40	40	40	50
Cable AWG Cobre	10	14	12	12	12	12	10	10	10	10	8	8	8	8
Min. flujo Req. GPM / l/min	0.32 / 1.2	0.32 / 1.2		0.42 / 1.6		0.42 / 1.6	0.42 / 1.6		0.48 / 1.8		0.69 / 2.6		0.79 / 3.0	
Caida en presión PSI / bar	2.88 / 0.23	2.88 / 0.23		2.88 / 0.23		2.88 / 0.23	2.88 / 0.23		2.88 / 0.23		3.13 / 0.25		3.75 / 0.30	
Volumen de agua	0.13 GAL / 0.5 l													
Presión máxima	150 PSI / 10 bar													
Presión de prueba	300 PSI / 20 bar													
Peso lbs. / kg	4.6 / 2.1	5.3 / 2.4		5.3 / 2.4		4.6 / 2.1	4.6 / 2.1		5.3 / 2.4		5.3 / 2.4		5.3 / 2.4	
Conexion de tubería	1/2" NPT													

La línea de agua de entrada (suplido) que se conecta a los calentadores DHC solo debe ser la línea de "agua fría" del sistema de plomería.

RESOLUCIÓN DE INCIDENCIAS (TROUBLESHOOTING)

Síntoma	Posible causa	Solución
No hay agua caliente pero se escucha el „click“ al abrir agua caliente.	<ul style="list-style-type: none"> – se cayó el breaker – protección termal activada. 	<ul style="list-style-type: none"> – usar breaker adecuado. – oprimir protector termal (botón) J.
No hay agua caliente y no se oye el „click“.	<ul style="list-style-type: none"> – No hay flujo de agua suficiente para activar unidad. 	<ul style="list-style-type: none"> – limpiar „aerators“. – abrir valvula al máximo H. – abrir tornillo de ajuste de flujo I.
Agua no caliente suficiente	<ul style="list-style-type: none"> – demasiado flujo de agua – voltaje muy bajo ó incorrecto. 	<ul style="list-style-type: none"> – disminuir flujo de agua (cerrar tornillo de ajuste) H. – suministrar voltaje correcto.

Nota Importante:

La Stiebel Eltron, Inc. está a sus ordenes para ayudar en resolver cualquier problema de instalación o servicio de sus productos.

La mayoría de los problemas de instalación y operación de los calentadores DHC pueden resolverse fácilmente por teléfono consultando a su distribuidor local.

Nuestro Departamento Técnico puede ser contactado en los EE.UU. al 1-800-582-8423 y para llamadas desde el exterior favor marcar el 413-538-7850. El horario es de 9:00 a 5:00, Lunes a Viernes, Hora del Este. Correo electrónico al: info@stiebel-eltron-usa.com

REPUESTOS **K**

Numero y Descripción Modelo	DHC 3-1	DHC 3-2	DHC 4-2	DHC 4-3	DHC 5-2	DHC 6-2	DHC 8-2	DHC 10-2
① Sistema de Calentamiento	16 58 89	16 77 69	16 77 70	16 58 90	16 77 71	17 11 17	16 77 72	16 77 73
② Interruptor de Flujo	16 52 73	16 52 73	16 21 62	16 21 62	16 21 62	17 11 05	16 21 64	16 21 65
③ Termostato	16 24 72							
④ Interruptor	16 80 26							
⑤ Caja Exterior (parte trasera)	16 58 91							
⑥ Conexiones de Tubería	17 07 89							
⑦ Caja Exterior (parte delantera)	16 58 92							
⑧ Interruptor de Seguridad (temperatura)	16 24 74							
⑨ Bloque de Alambrado	16 22 02	16 50 49						
⑩ Tubo de Cobre	16 23 14							
⑪ Armazón Interior	16 24 62							
⑫ Abrazadera para Cables Eléctricos	05 57 54							